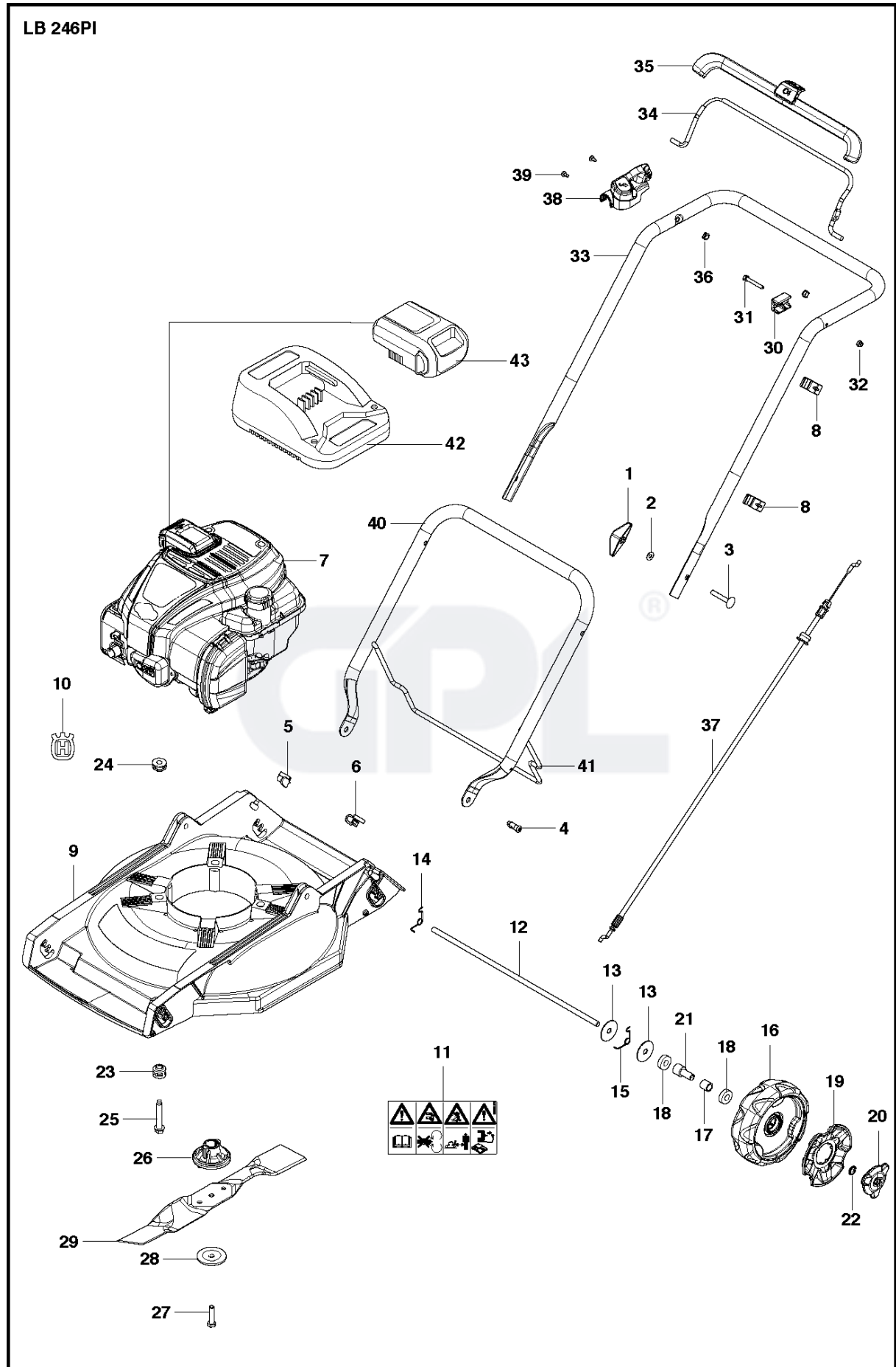




SPARE PARTS LIST

LAWN MOWERS: CONSUMER
WALK-BEHINDS

LB 246PI, 967666101, 2018-01



Ref	Part No	Description	Remark	QTY KIT
1	512 79 31-68	WING NUT		2
2	514 02 66-03	WASHER		2
3	514 99 45-01	BOLT		2
4	578 29 25-01	PIVOT PIN		2
5	578 29 26-01	INSERT		1
6	578 29 26-02	INSERT		1
7	.	TBD	092J0B0002H1	1
8	593 12 96-01	CABLE HOLDER		2
9	510 69 40-64	DECK		1
10	.	TBD		1
11	579 73 39-01	DECAL		1
12	513 10 28-01	AXLE		2
13	583 94 38-01	WASHER		8
14	513 10 45-00	SPRING		2
15	513 10 45-01	SPRING		2
16	587 63 15-01	WHEEL ASSY		4
17	587 85 90-01	SLEEVE		4
18	738 21 01-04	BALL BEARING		8
19	587 63 27-01	HUB CAP		4
20	584 15 94-01	NUT CAP		4
21	513 90 60-01	BUSHING		4
22	514 90 31-00	STARLOCK		4
23	513 10 26-00	SPACING SLEEVE		3
24	510 77 00-00	BUSH DECK INSULATOR		3
25	514 91 67-02	BOLT		3
26	512 79 42-00	ADAPTER		1
27	584 81 23-01	SCREW		1
28	515 79 60-01	WASHER		1
29	583 97 40-10	BLADE		1
30	531 20 80-43	BRACKET		1
31	725 23 79-51	SCREW EHHM		1
32	732 25 16-01	HEXAGON LOCKING NUT		1
33	582 72 57-02	HANDLE		1
34	582 09 02-02	BAIL		1
35	587 10 25-03	GRIP		1
36	503 32 09-02	BUSHING		2
37	588 20 48-06	CABLE		1
38	502 43 52-01	SCREW ITXPANTT		1
39	725 23 68-61	SCREW EHHFT		2
40	582 72 55-02	HANDLE		1
41	582 78 52-01	BAIL		1
42	587 35 68-01	CHARGER	Charger B&S Li-ion	1
43	587 35 67-01	BATTERY	Battery B&S Li-ion 12V, 15,4Wh	1