

310/315

2017

Spare parts

Ersatzteile

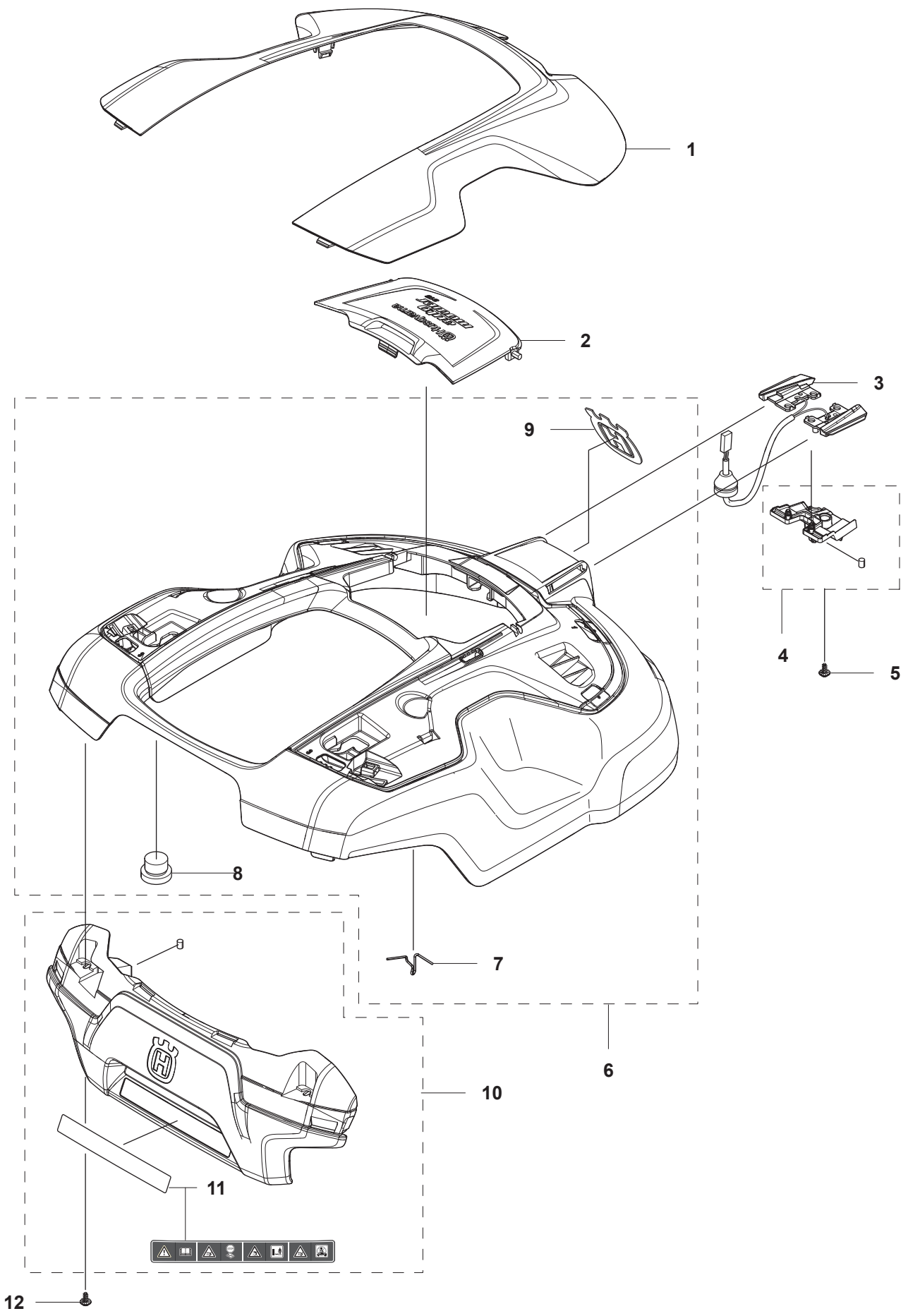
Pièces détachées

Reserve onderdelen

Repuestos

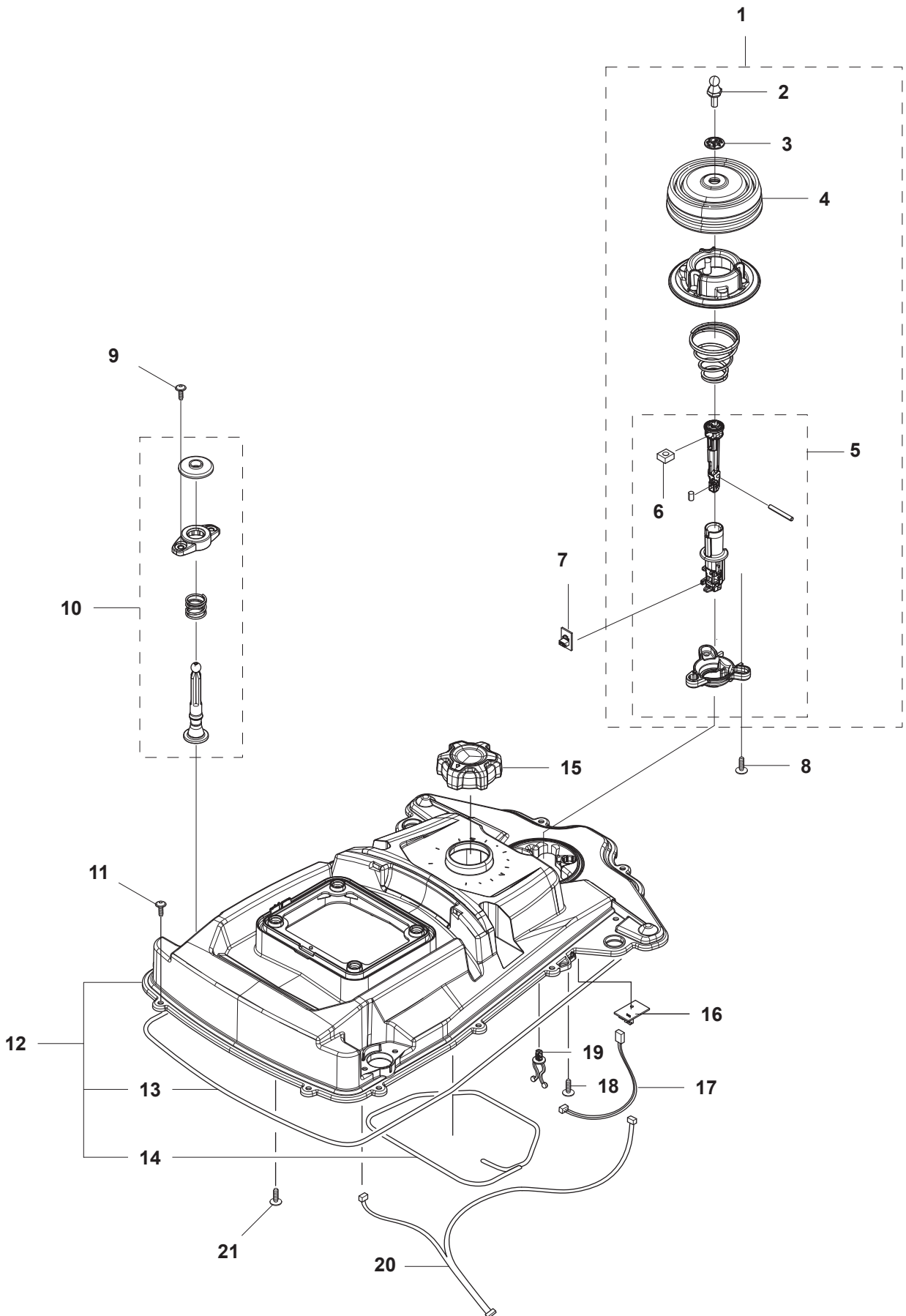
Reservdelar

A AUTOMOWER 310, 315 COVER



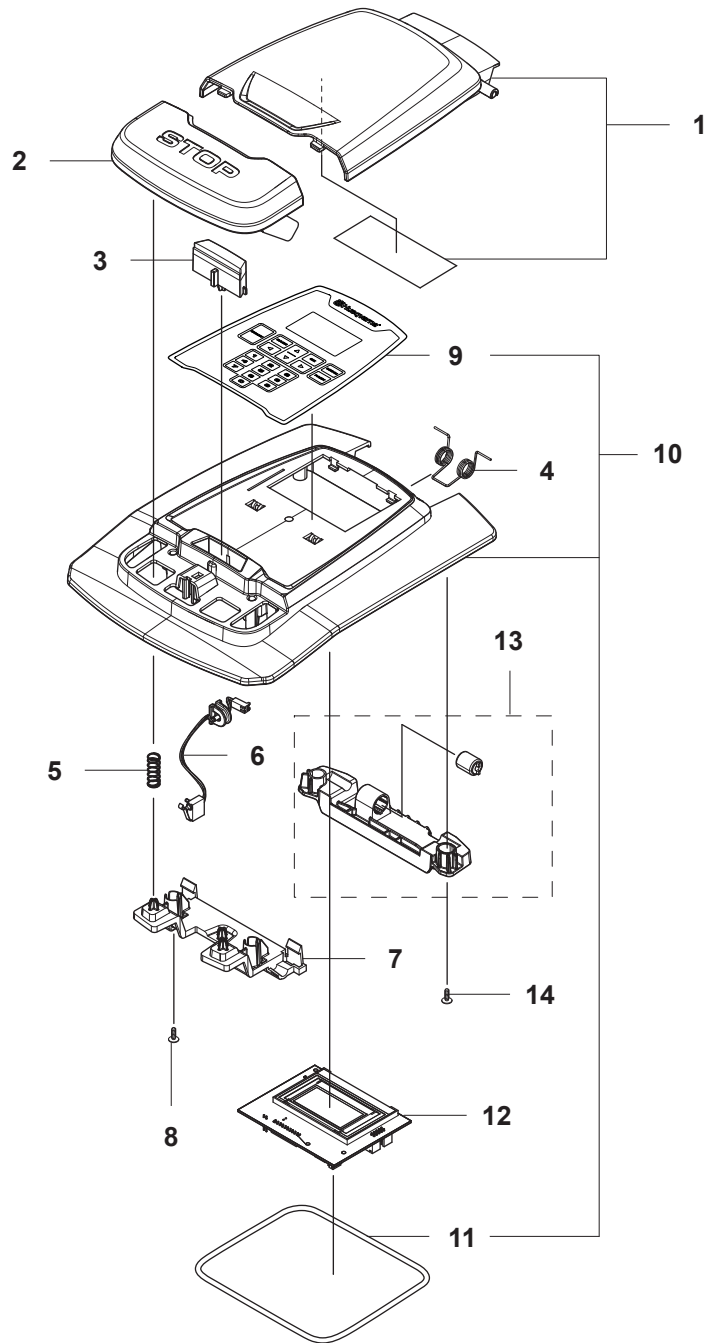
| Position | Article | Quantity | Notes | Kit / Assy |
|----------|--------------|----------|-----------------------|------------|
| 1 | 587 23 58-01 | 1 | Top Cover Grey | |
| 1 | 587 23 58-02 | 1 | Top Cover White | |
| 1 | 587 23 58-03 | 1 | Top Cover Orange | |
| 2 | 585 53 81-01 | 1 | Hood 310 | |
| 2 | 585 53 81-02 | 1 | Hood 315 | |
| 3 | 585 53 92-02 | 1 | Charging Plate Wiring | |
| 4 | 587 44 86-01 | 1 | Holder KIT | |
| 5 | 574 45 01-01 | 1 | Screw | |
| 6 | 587 44 85-01 | 1 | Body ASSY | |
| 7 | 587 41 94-02 | 1 | Spring Hood | 6 |
| 8 | 580 52 68-01 | 3 | Cap Snaploc | 6 |
| 9 | 574 38 21-01 | 1 | Crown | 6 |
| 10 | 587 44 87-01 | 1 | Bumper ASSY | |
| 11 | 586 35 97-01 | 1 | Label Warning | 10 |
| 12 | 574 45 01-01 | 2 | Screw | |

B AUTOMOWER 310, 315
CHASSIS UPPER



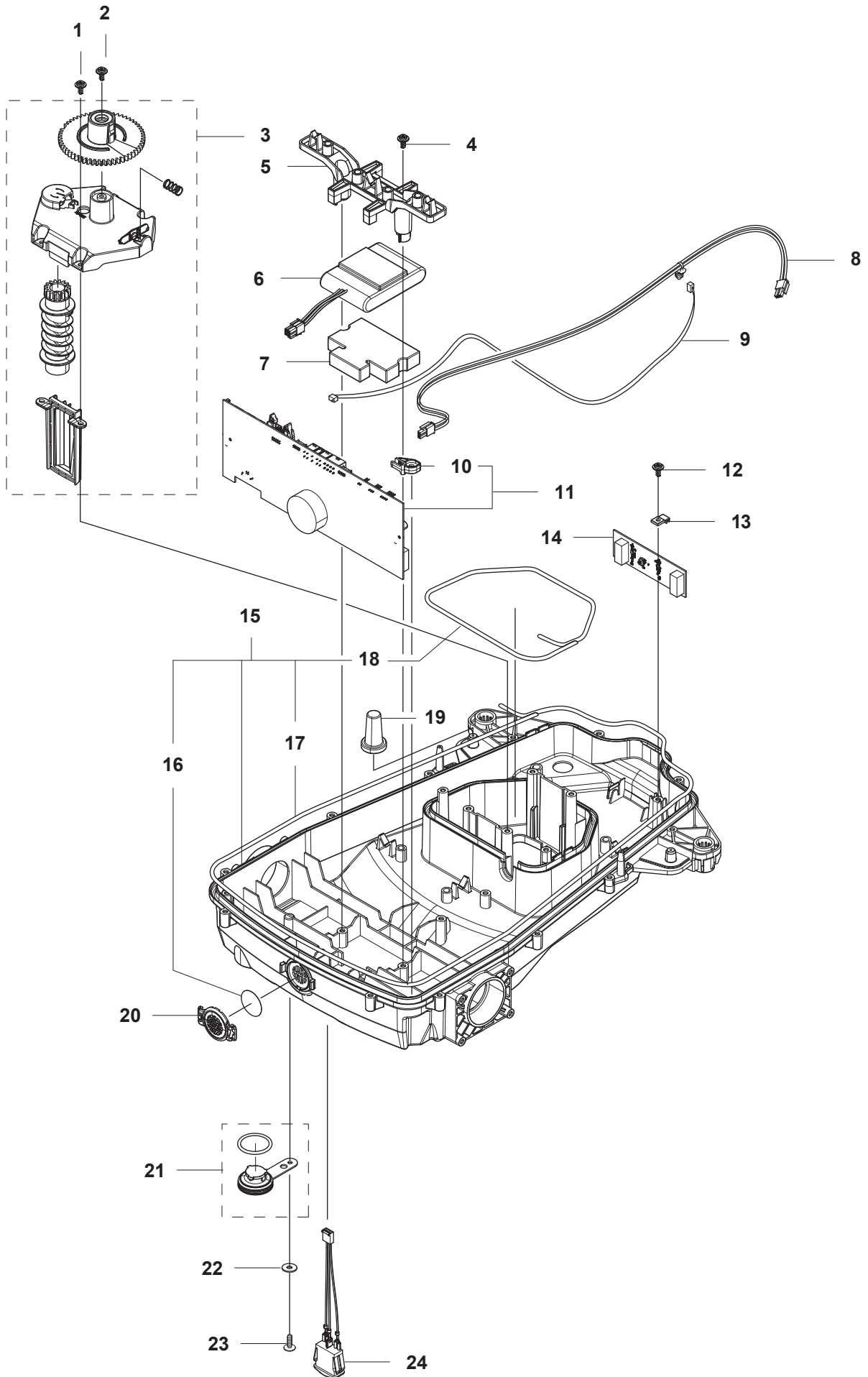
| Position | Article | Quantity | Notes | Kit / Assy |
|----------|--------------|----------|------------------------------|------------|
| 1 | 581 62 09-03 | 1 | Joystick KIT Front | |
| 2 | 580 52 67-01 | 1 | Stud | 1 |
| 3 | 579 52 57-01 | 1 | Washer | 1 |
| 4 | 579 47 46-01 | 1 | Bellows | 1 |
| 5 | 587 44 88-02 | 1 | Joystick ASSY | 1 |
| 6 | 503 22 66-01 | 1 | Square Nut | 1,5 |
| 7 | 579 66 90-01 | 1 | PCBA Lift Sensor | |
| 8 | 575 54 33-14 | 3 | Screw | |
| 9 | 574 45 01-01 | 4 | Screw | |
| 10 | 501 10 62-01 | 2 | Joystick KIT Rear | |
| 11 | 574 45 01-01 | 12 | Screw | |
| 12 | 587 44 89-02 | 1 | Chassis KIT | |
| 13 | 574 87 47-09 | 1 | Sealing Strip (1 pcs, Ø5 mm) | |
| 14 | 574 87 47-08 | 1 | Sealing Strip (1 pcs, Ø5 mm) | |
| 15 | 585 28 14-01 | 1 | Knob | |
| 16 | 584 96 90-01 | 1 | PCBA Collision Sensor | |
| 17 | 585 20 85-01 | 1 | Loom Lift-Collision | |
| 18 | 574 45 01-01 | 3 | Screw | |
| 19 | 580 68 29-01 | 3 | Holder Twist Lock | |
| 20 | 588 79 78-01 | 1 | Loom | |
| 21 | 574 45 01-01 | 4 | Screw | |

C AUTOMOWER 310, 315
CENTER CONSOL



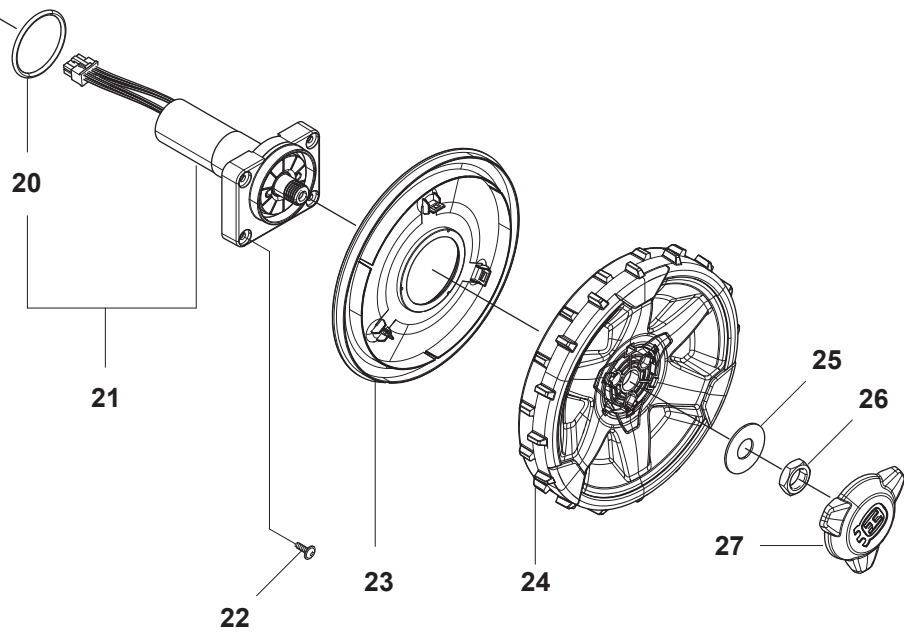
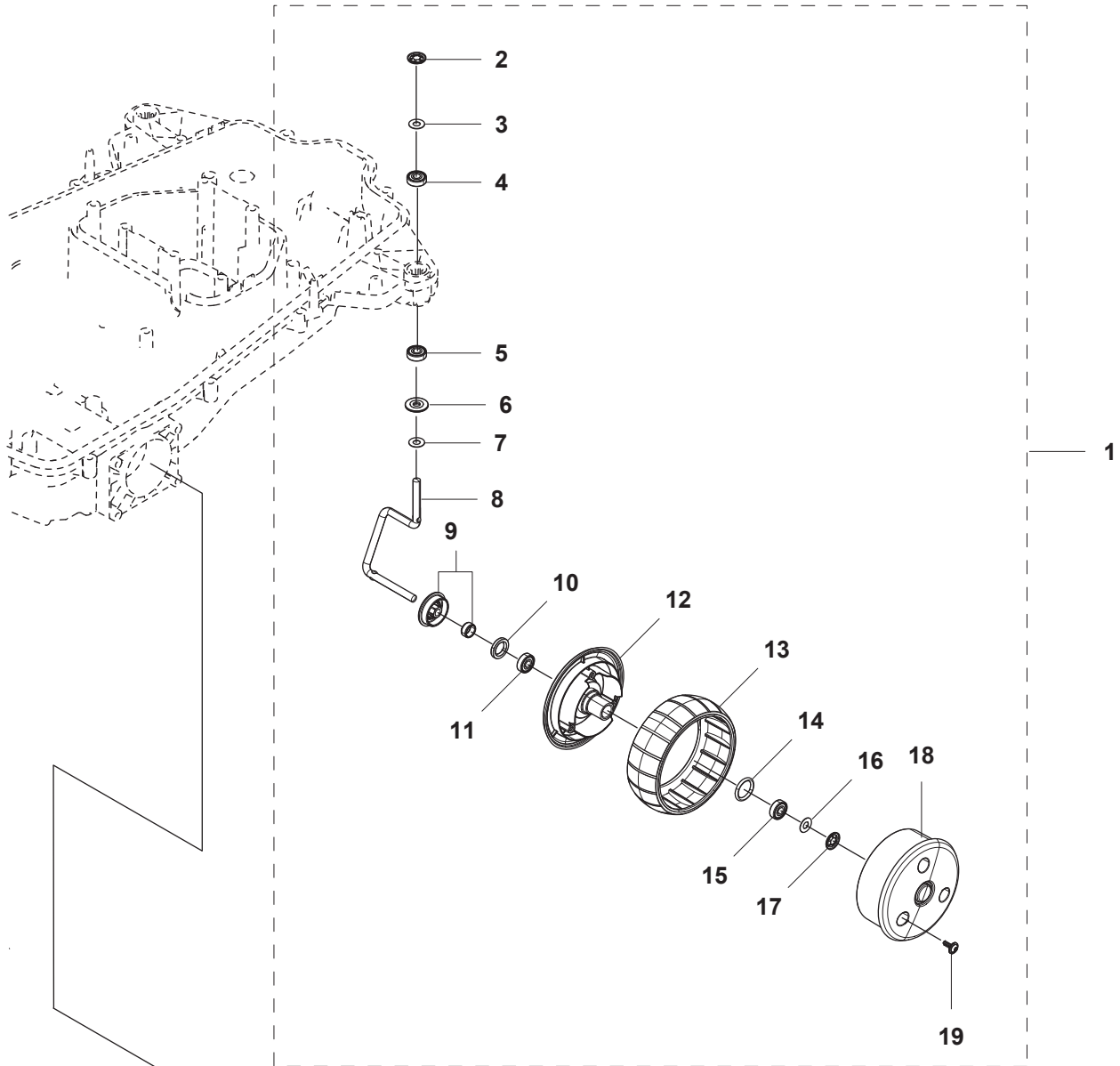
| Position | Article | Quantity | Notes | Kit / Assy |
|----------|--------------|----------|------------------------------|------------|
| 1 | 587 65 13-01 | 1 | Hatch KIT | |
| 2 | 585 27 56-01 | 1 | Stop Button | |
| 3 | 585 27 59-01 | 1 | Lock | |
| 4 | 585 25 54-01 | 1 | Torsion Spring | |
| 5 | 576 24 22-01 | 3 | Spring | |
| 6 | 574 48 03-02 | 1 | Switch | |
| 7 | 585 27 57-01 | 1 | Support Rear | |
| 8 | 575 54 33-14 | 2 | Screw | |
| 9 | 584 97 45-01 | 1 | Keyboard 2.1" Display 310 | 10 |
| 9 | 584 97 46-01 | 1 | Keyboard 2.8" Display 315 | 10 |
| 10 | 587 44 90-01 | 1 | Cover KIT 2.1" Display 310 | |
| 10 | 587 44 90-02 | 1 | Cover KIT 2.8" Display 315 | |
| 11 | 574 87 47-08 | 1 | Sealing Strip (1 pcs, Ø5 mm) | |
| 12 | 588 64 17-01 | 1 | PCBA MMI 2.1" Display 310 | |
| 12 | 588 64 18-01 | 1 | PCBA MMI 2.8" Display 315 | |
| 13 | 501 10 61-01 | 1 | Support KIT | |
| 14 | 575 54 33-14 | 2 | Screw | |

D AUTOMOWER 310, 315
CHASSIS LOWER



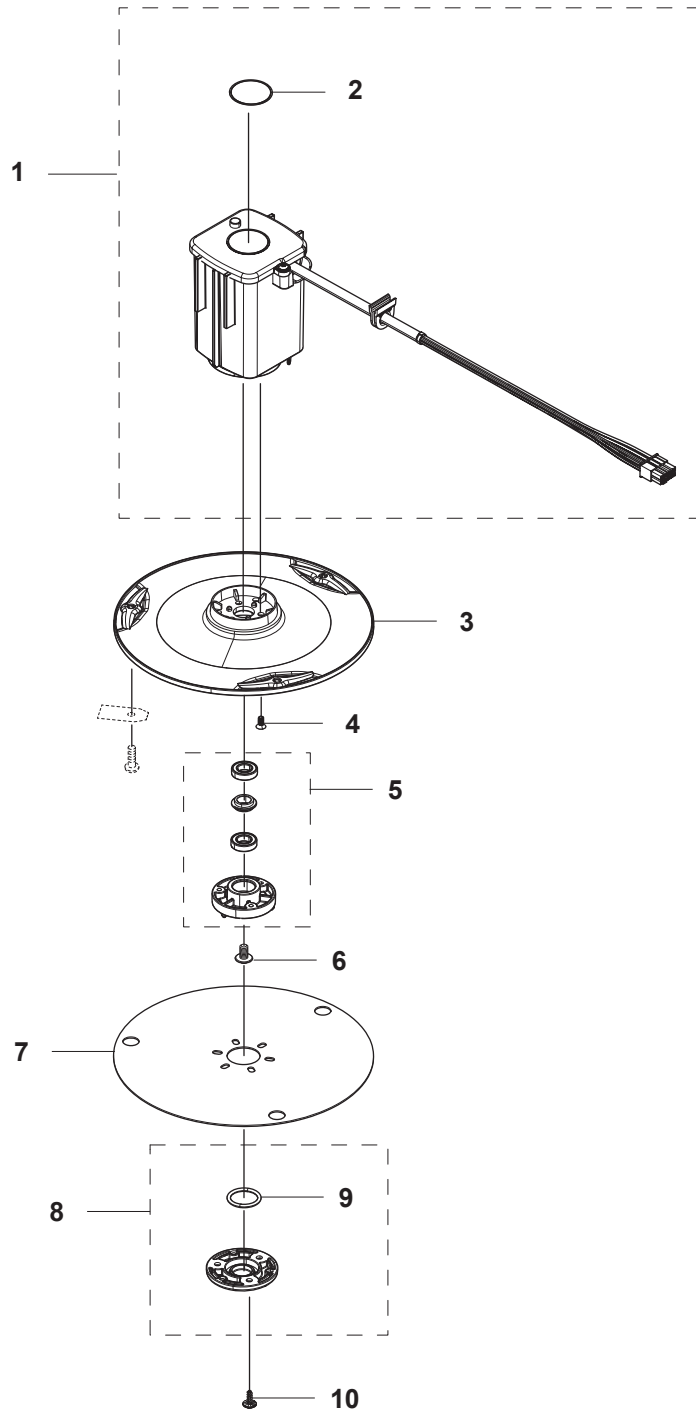
| Position | Article | Quantity | Notes | Kit / Assy |
|----------|--------------|----------|------------------------------|------------|
| 1 | 574 45 01-01 | 1 | Screw | |
| 2 | 574 45 01-01 | 4 | Screw | |
| 3 | 501 10 66-01 | 1 | Cover KIT | |
| 4 | 574 45 01-01 | 2 | Screw | |
| 5 | 585 30 47-01 | 1 | Holder Battery | |
| 6 | 584 85 28-01 | 1 | Battery | |
| 7 | 587 24 96-01 | 1 | Weight | |
| 8 | 585 53 90-01 | 1 | Loom Charging | |
| 9 | 579 70 82-01 | 1 | Loom Loop Sensor | |
| 10 | 585 53 83-01 | 2 | Clips | |
| 11 | 588 77 90-03 | 1 | Main Board | |
| 12 | 574 45 01-01 | 1 | Screw | |
| 13 | 579 52 94-01 | 1 | Clamp | |
| 14 | 588 90 30-01 | 1 | Sensor Board | |
| 15 | 587 44 92-01 | 1 | Chassis Lower KIT | |
| 16 | 577 75 37-01 | 1 | Air Filter | |
| 17 | 574 87 47-09 | 1 | Sealing Strip (1 pcs, Ø5 mm) | |
| 18 | 574 87 47-08 | 1 | Sealing Strip (1 pcs, Ø5 mm) | |
| 19 | 586 34 26-01 | 2 | Pillar | |
| 20 | 586 03 89-01 | 1 | Cover Filter | |
| 21 | 581 62 12-02 | 1 | Plug KIT | |
| 22 | 734 11 37-41 | 1 | Washer | |
| 23 | 574 45 01-01 | 1 | Screw | |
| 24 | 579 70 87-01 | 1 | Loom On-Off | |

E AUTOMOWER 310, 315 WHEELS & TIRES



| Position | Article | Quantity | Notes | Kit / Assy |
|----------|--------------|----------|--------------------|------------|
| 1 | 587 65 19-01 | 2 | Front Wheel Assy | |
| 2 | 576 01 94-02 | 2 | Lock Washer | 1 |
| 3 | 585 19 68-01 | 2 | Washer | 1 |
| 4 | 585 21 42-01 | 2 | Ball Bearing | 1 |
| 5 | 585 21 42-01 | 2 | Ball Bearing | 1 |
| 6 | 535 08 78-02 | 2 | Washer | 1 |
| 7 | 585 19 68-01 | 2 | Washer | 1 |
| 8 | 585 18 72-01 | 2 | Spindle | 1 |
| 9 | 587 44 93-01 | 2 | Shield KIT | 1 |
| 10 | 580 48 71-01 | 2 | Sealing | 1 |
| 11 | 585 21 42-01 | 2 | Ball Bearing | 1 |
| 12 | 579 45 71-01 | 2 | Wheel Inside | 1 |
| 13 | 574 44 98-01 | 2 | Wheel Tyre | 1 |
| 14 | 580 44 51-01 | 2 | O-ring | 1 |
| 15 | 585 21 42-01 | 2 | Ball Bearing | 1 |
| 16 | 585 19 68-01 | 2 | Washer | 1 |
| 17 | 576 01 94-01 | 2 | Lock Washer | 1 |
| 18 | 579 45 72-01 | 2 | Wheel Outside | 1 |
| 19 | 575 54 33-14 | 6 | Screw | 1 |
| 20 | 580 44 39-02 | 2 | O-ring | 21 |
| 21 | 587 44 94-02 | 1 | Motor ASSY | |
| 22 | 574 45 01-01 | 8 | Screw | |
| 23 | 585 06 56-01 | 2 | Cover - Rear Wheel | |
| 24 | 585 06 61-01 | 2 | Rear Wheel | |
| 25 | 586 21 06-01 | 2 | Washer | |
| 26 | 731 43 24-01 | 2 | Thin Nut | |
| 27 | 579 50 55-02 | 2 | Hub Cap | |

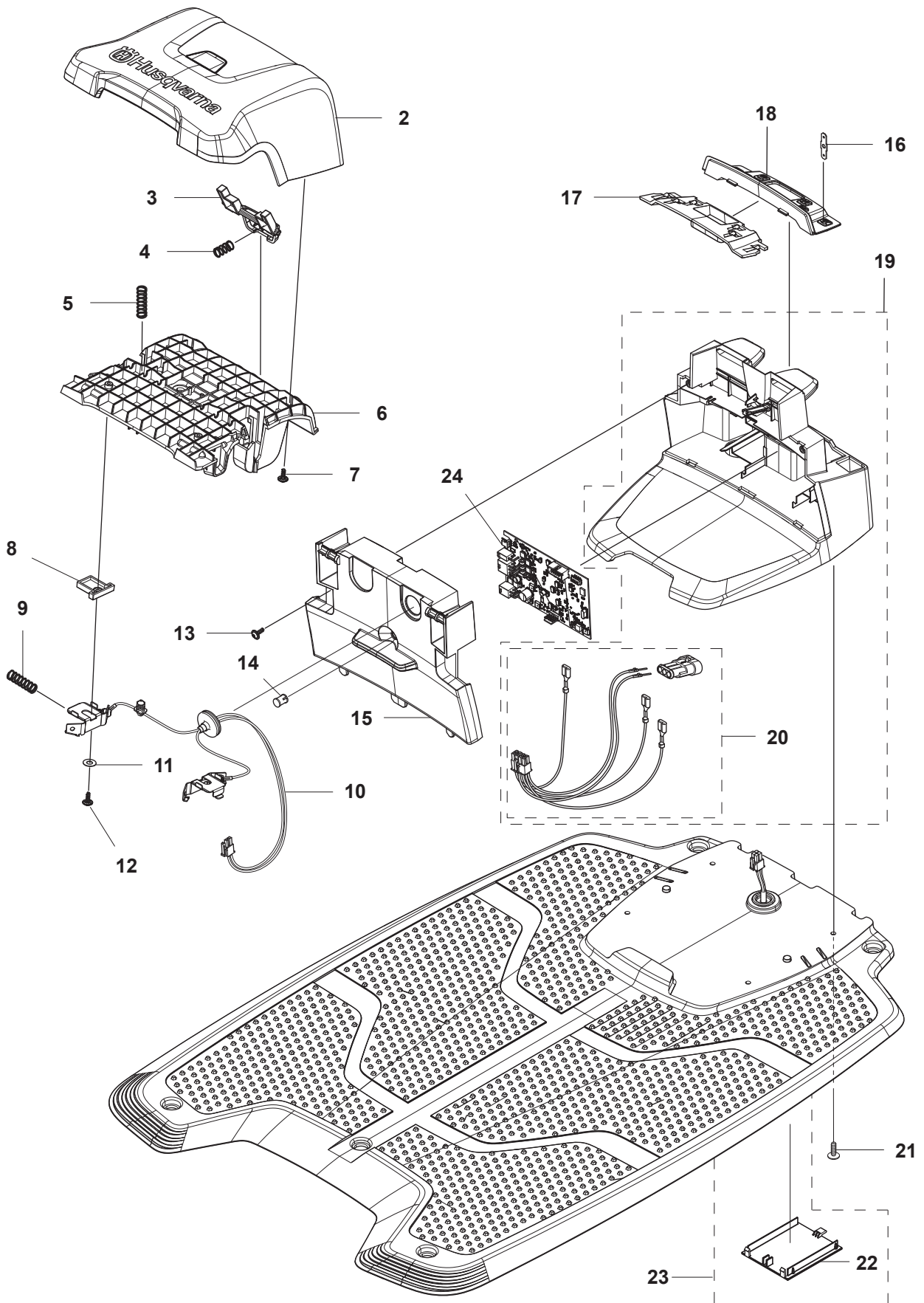
F AUTOMOWER 310, 315
BLADE MOTOR & CUTTING EQUIPMENT



| Position | Article | Quantity | Notes | Kit / Assy |
|----------|--------------|----------|----------------------|------------|
| 1 | 501 84 37-01 | 1 | Motor ASSY | |
| 2 | 577 75 37-01 | 10 | Air Filter | 1 |
| 3 | 585 29 69-01 | 1 | Cutting Disk | |
| 4 | 535 13 05-02 | 3 | Screw | |
| 5 | 588 42 17-01 | 1 | Bearing Housing ASSY | |
| 6 | 535 07 60-01 | 1 | Screw | |
| 7 | 585 29 70-01 | 1 | Skid Plate | |
| 8 | 587 44 96-01 | 1 | Bearing Cover | |
| 9 | 585 29 75-01 | 1 | O-Ring | 8 |
| 10 | 575 54 33-14 | 3 | Screw | |

G AUTOMOWER 310, 315
CHARGING STATION

1

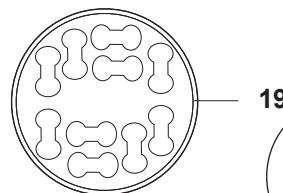
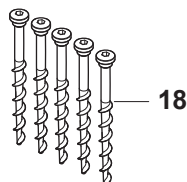
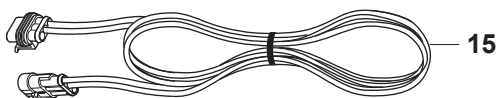
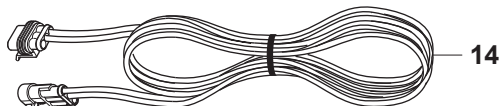
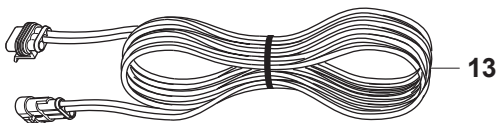
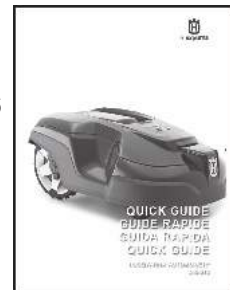
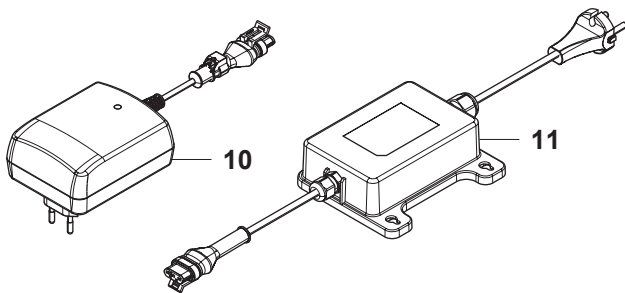
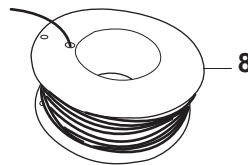
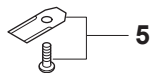
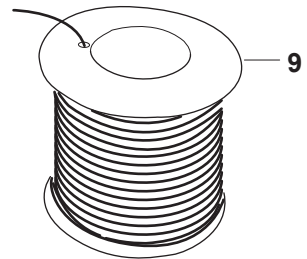
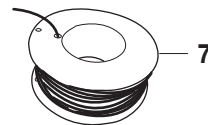
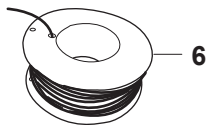
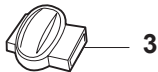
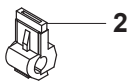
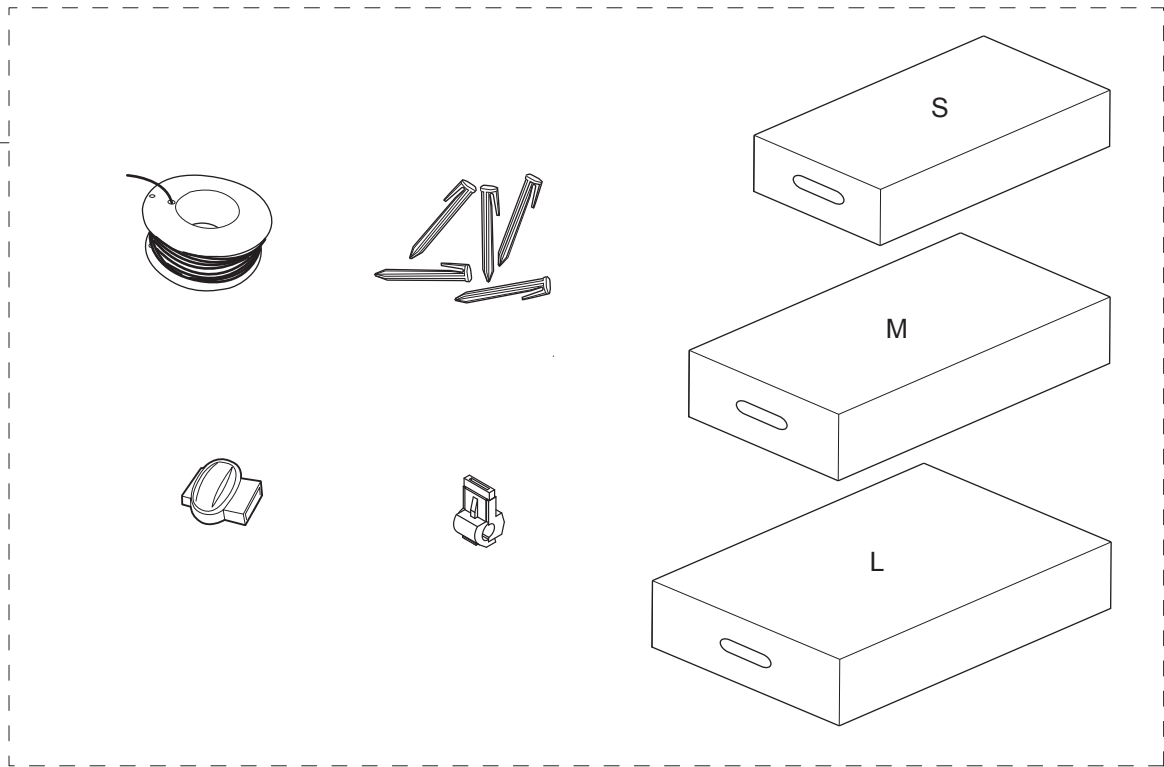


CHARGING STATION

| Position | Article | Quantity | Notes | Kit / Assy |
|----------|--------------|----------|-----------------------|------------|
| 1 | 585 16 40-02 | 1 | Charging Station | |
| 2 | 585 07 11-02 | 1 | Cap | |
| 3 | 579 46 24-02 | 1 | Button - Release | |
| 4 | 574 48 70-01 | 1 | Spring | |
| 5 | 580 51 14-01 | 2 | Spring | |
| 6 | 579 45 80-04 | 1 | Frame | |
| 7 | 575 54 33-14 | 4 | Screw | |
| 8 | 579 46 05-01 | 2 | Distance | |
| 9 | 580 51 14-01 | 2 | Spring | |
| 10 | 585 53 95-02 | 1 | Loom Charging Contact | |
| 11 | 734 11 37-41 | 2 | Washer | |
| 12 | 575 54 33-14 | 2 | Screw | |
| 13 | 575 54 33-14 | 2 | Screw | |
| 14 | 535 12 87-02 | 1 | Lens | |
| 15 | 585 07 14-01 | 1 | Lid | |
| 16 | 580 50 41-01 | 3 | Terminal | |
| 17 | 579 45 98-01 | 1 | Panel | |
| 18 | 579 45 99-01 | 1 | Holder | |
| 19 | 588 41 61-01 | 1 | Housing | |
| 20 | 587 65 15-01 | 1 | Loom | 19 |
| 21 | 575 54 33-14 | 4 | Screw | |
| 22 | 585 91 93-01 | 1 | Cover | |
| 23 | 587 65 16-02 | 1 | Charging Plate KIT | |
| 24 | 589 60 21-01 | 1 | Printed Circuit ASSY | |

H AUTOMOWER 310, 315 INSTALLATION ACCESSORIES

1

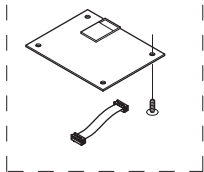
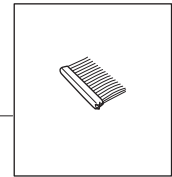
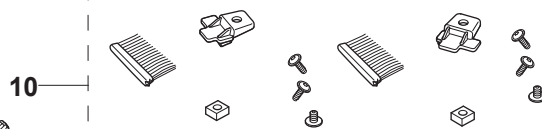
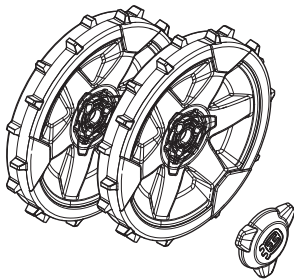
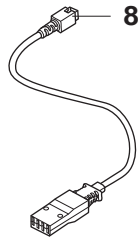
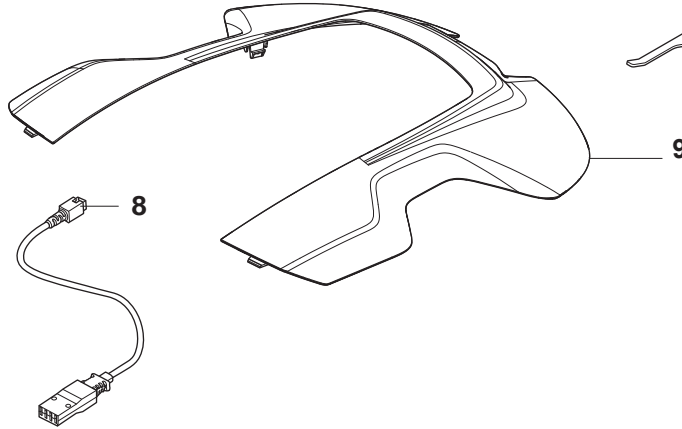
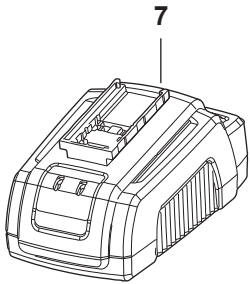
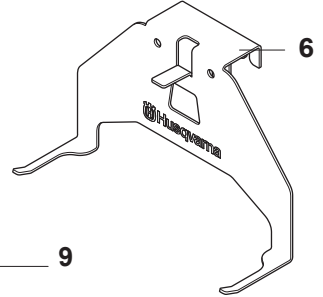
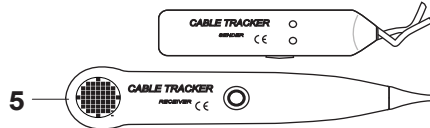
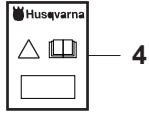


INSTALLATION ACCESSORIES

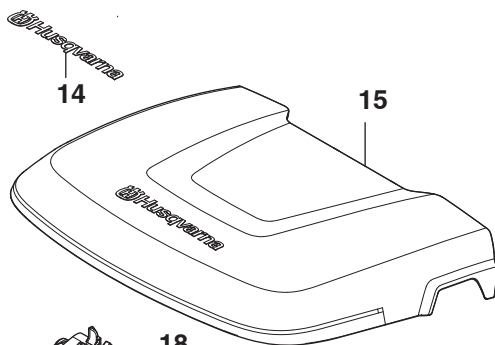
| Position | Article | Quantity | Notes | Kit / Assy |
|----------|--------------|----------|---|------------|
| 1 | 967 62 36-01 | 1 | Installation KIT S: Wire (150 m), Staples (300 pcs), Connectors (3 pcs), Couplers (5 pcs) | |
| 1 | 967 62 36-02 | 1 | Installation KIT M: Wire (250 m), Staples (400 pcs), Connectors (3 pcs), Couplers (5 pcs) | |
| 1 | 967 62 36-03 | 1 | Installation KIT L: Wire (400 m), Staples (600 pcs), Connectors (5 pcs), Couplers (5 pcs) | |
| 2 | 535 12 90-01 | 1 | Loop Wire Connector | |
| 2 | 577 86 48-01 | 1 | Loop Wire Connector, Blister Pack, 5 pcs | |
| 3 | 501 98 02-01 | 1 | Coupler | |
| 3 | 577 86 47-01 | 2 | Coupler, Blister Pack, 5 pcs | |
| 3 | 501 98 02-03 | 1 | Coupler, 100 pcs | |
| 4 | 583 97 34-01 | 1 | Staples, 100 pcs | |
| 5 | 577 86 46-03 | 1 | Long Life - Safety Blade, Blister Pack, 9 pcs | |
| 5 | 577 60 65-05 | 1 | Long Life - Safety Blade, 45 pcs | |
| 5 | 577 60 66-04 | 1 | Long Life - Safety Blade, 300 pcs | |
| 6 | 577 86 43-02 | 1 | Wire, Blister Pack, (50 m) | |
| 6 | 580 66 20-02 | 1 | Wire (150 m) | |
| 6 | 577 86 43-01 | 1 | Wire, Blister Pack, (150 m) | |
| 7 | 580 66 20-01 | 1 | Wire (250 m) | |
| 8 | 522 91 41-01 | 1 | Wire (500 m) | |
| 9 | 580 66 20-04 | 1 | Wire (800 m) | |
| 10 | 584 86 25-01 | 1 | Power Supply Unit EU | |
| 11 | 584 86 26-02 | 1 | Power Supply Unit UK, IE | |
| 11 | 584 86 26-03 | 1 | Power Supply Unit CH | |
| 11 | 584 86 26-04 | 1 | Power Supply Unit US, CA | |
| 11 | 584 86 26-05 | 1 | Power Supply Unit AU, NZ | |
| 11 | 584 86 26-06 | 1 | Power Supply Unit JP | |
| 12 | 544 17 75-01 | 1 | Measuring Tape | |
| 13 | 579 82 51-01 | 1 | Low voltage cable 20m | |
| 14 | 579 82 51-02 | 1 | Low voltage cable 10m | |
| 15 | 579 82 51-03 | 1 | Low voltage cable 3m | |
| 16 | 115 87 57-06 | 1 | Operator's Manual, Swedish | |
| 16 | 115 87 57-11 | 1 | Operator's Manual, Danish | |
| 16 | 115 87 57-21 | 1 | Operator's Manual, Finnish | |
| 16 | 115 87 57-26 | 1 | Operator's Manual, Norwegian | |
| 16 | 115 87 57-31 | 1 | Operator's Manual, English | |
| 16 | 115 87 57-32 | 1 | Operator's Manual, French | |
| 16 | 115 87 57-36 | 1 | Operator's Manual, French (CA) | |
| 16 | 115 87 57-41 | 1 | Operator's Manual, Dutch | |
| 16 | 115 87 57-46 | 1 | Operator's Manual, Italian | |
| 16 | 115 87 57-51 | 1 | Operator's Manual, Spanish | |
| 16 | 115 87 57-56 | 1 | Operator's Manual, German | |
| 16 | 115 87 57-58 | 1 | Operator's Manual, Russian | |
| 16 | 115 87 57-59 | 1 | Operator's Manual, Hungarian | |
| 16 | 115 87 57-61 | 1 | Operator's Manual, Portuguese | |
| 16 | 115 87 57-62 | 1 | Operator's Manual, Polish | |
| 16 | 115 87 57-63 | 1 | Operator's Manual, Romanian | |
| 16 | 115 87 57-64 | 1 | Operator's Manual, Estonian | |
| 16 | 115 87 57-65 | 1 | Operator's Manual, Latvian | |
| 16 | 115 87 57-68 | 1 | Operator's Manual, Lithuanian | |
| 16 | 115 87 57-71 | 1 | Operator's Manual, Slovakian | |
| 16 | 115 87 57-76 | 1 | Operator's Manual, Greek | |
| 16 | 115 87 57-79 | 1 | Operator's Manual, Turkish | |
| 16 | 115 87 57-81 | 1 | Operator's Manual, Japanese | |
| 16 | 115 87 57-84 | 1 | Operator's Manual, Croatian | |
| 16 | 115 87 57-90 | 1 | Operator's Manual, Slovenian | |
| 16 | 115 87 57-95 | 1 | Operator's Manual, Czech | |
| 16 | 115 87 57-96 | 1 | Operator's Manual, English: EPA, CARB | |
| 16 | 115 78 63-96 | 1 | Operator's Manual, Spanish (US) | |
| 17 | 115 78 65-10 | 1 | Quick Guide, Swedish, Danish, Norwegian, Finnish | |
| 17 | 115 78 65-20 | 1 | Quick Guide, German, French, Dutch, Slovenian | |
| 17 | 115 78 65-30 | 1 | Quick Guide, Spanish, Portuguese, Italian, English | |
| 17 | 115 78 65-38 | 1 | Quick Guide, English, Spanish, French, Japanese | |
| 17 | 115 78 65-39 | 1 | Quick Guide, German, French, Italian, English | |
| 17 | 115 78 65-40 | 1 | Quick Guide, Russian, Estonian, Latvian, Lithuanian | |
| 17 | 115 78 65-50 | 1 | Quick Guide, Czech, Slovak, Polish, Hungarian | |
| 17 | 115 78 65-93 | 1 | Quick Guide, Croatian, Turkish, Romanian, Greek | |
| 18 | 575 23 86-03 | 1 | Screw KIT, 5 pcs | |
| 19 | 586 27 79-01 | 1 | Sticker, Cable Markers, 10 pcs | |

| | | | | |
|----|--------------|---|-------------|--|
| 20 | 579 57 12-01 | 1 | Label Alarm | |
|----|--------------|---|-------------|--|

AUTOMOWER 310, 315 ACCESSORIES

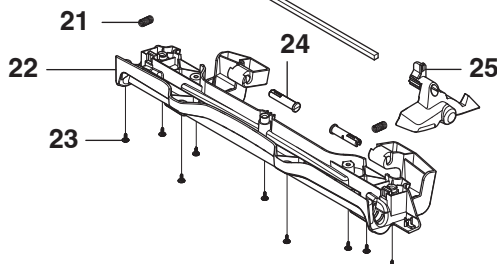


30



13

19



21

22

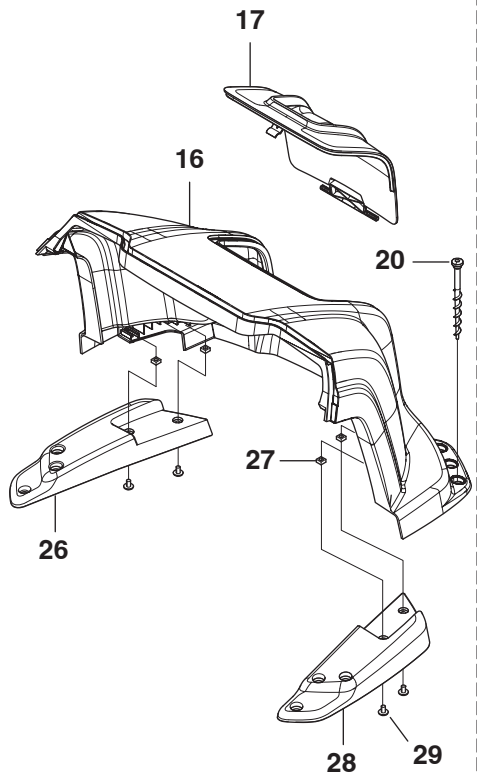
23

24

25



31



17

16

20

26

27

28

29

| Page I 310, 315 | | ACCESSORIES | | |
|-----------------|--------------|-------------|---|------------|
| Position | Article | Quantity | Notes | Kit / Assy |
| 1 | 577 85 81-03 | 1 | DVD Autocheck EXP | |
| 2 | 577 51 81-02 | 1 | Service Cable (USB) | |
| 3 | 522 91 67-01 | 1 | Bag | |
| 4 | 580 68 95-02 | 1 | Warranty Seal 1pcs | |
| 5 | 577 60 68-01 | 1 | Interruption Detector | |
| 6 | 587 22 40-01 | 1 | Wallhanger 310/315 | |
| 7 | 588 40 84-01 | 1 | Quick Charger with Battery Test | |
| 8 | 588 20 26-01 | 1 | Cable Quick Charger | |
| 9 | 587 23 58-01 | 1 | Top Cover Grey | |
| 9 | 587 23 58-02 | 1 | Top Cover White | |
| 9 | 587 23 58-03 | 1 | Top Cover Orange | |
| 10 | 587 23 57-01 | 1 | Wheel Brush KIT (Holder x2, Brush x6) | 11 |
| 11 | 587 23 53-01 | 1 | Terrain KIT (Brush KIT + Rear wheels) | |
| 12 | 505 13 28-03 | 1 | Brush, 6 pcs | |
| 13 | 587 23 61-01 | 1 | House KIT | |
| 14 | 577 46 90-01 | 1 | Decal | 13 |
| 15 | 585 32 35-01 | 1 | Lid | 13 |
| 16 | 586 99 38-01 | 1 | Cover Base | 13 |
| 17 | 585 32 36-01 | 1 | Hatch | 13 |
| 18 | 585 32 40-02 | 1 | Handle Left | 13 |
| 19 | 585 32 41-01 | 1 | Rod | 13 |
| 20 | 575 23 86-01 | 1 | Screw KIT, 6 pcs | 13 |
| 21 | 580 51 14-01 | 2 | Spring | 13 |
| 22 | 585 34 16-01 | 1 | Beam | 13 |
| 23 | 575 54 33-14 | 9 | Screw | 13 |
| 24 | 585 34 15-01 | 2 | Hinge Pin | 13 |
| 25 | 585 32 40-01 | 1 | Handle Right | 13 |
| 26 | 585 32 38-02 | 1 | Support Left | 13 |
| 27 | 503 22 66-01 | 4 | Square Nut | 13 |
| 28 | 585 32 38-01 | 1 | Support Right | 13 |
| 29 | 535 12 93-03 | 4 | Screw | 13 |
| 30 | 586 66 23-04 | 1 | AMC - Automower Connect KIT | |
| 31 | 115 82 03-01 | 1 | Technical Handbook -310, 315, Sileno: Swedish | |
| 31 | 115 82 03-06 | 1 | Technical Handbook -310, 315, Sileno: Danish | |
| 31 | 115 82 03-11 | 1 | Technical Handbook -310, 315, Sileno: Finnish | |
| 31 | 115 82 03-21 | 1 | Technical Handbook -310, 315, Sileno: Norwegian | |
| 31 | 115 82 03-26 | 1 | Technical Handbook -310, 315, Sileno: English | |
| 31 | 115 82 03-31 | 1 | Technical Handbook -310, 315, Sileno: French | |
| 31 | 115 82 03-36 | 1 | Technical Handbook -310, 315, Sileno: Dutch | |
| 31 | 115 82 03-41 | 1 | Technical Handbook -310, 315, Sileno: Italian | |
| 31 | 115 82 03-46 | 1 | Technical Handbook -310, 315, Sileno: Spanish | |
| 31 | 115 82 03-51 | 1 | Technical Handbook -310, 315, Sileno: German | |
| 31 | 115 82 03-56 | 1 | Technical Handbook -310, 315, Sileno: Russian | |
| 31 | 115 82 03-58 | 1 | Technical Handbook -310, 315, Sileno: Hungarian | |
| 31 | 115 82 03-59 | 1 | Technical Handbook -310, 315, Sileno: Portuguese | |
| 31 | 115 82 03-61 | 1 | Technical Handbook -310, 315, Sileno: Polish | |
| 31 | 115 82 03-62 | 1 | Technical Handbook -310, 315, Sileno: Romanian | |
| 31 | 115 82 03-63 | 1 | Technical Handbook -310, 315, Sileno: Estonian | |
| 31 | 115 82 03-64 | 1 | Technical Handbook -310, 315, Sileno: Latvian | |
| 31 | 115 82 03-65 | 1 | Technical Handbook -310, 315, Sileno: Lithuanian | |
| 31 | 115 82 03-68 | 1 | Technical Handbook -310, 315, Sileno: Slovakian | |
| 31 | 115 82 03-71 | 1 | Technical Handbook -310, 315, Sileno: Greek | |
| 31 | 115 82 03-76 | 1 | Technical Handbook -310, 315, Sileno: Turkish | |
| 31 | 115 82 03-79 | 1 | Technical Handbook -310, 315, Sileno: Japanese | |
| 31 | 115 82 03-81 | 1 | Technical Handbook -310, 315, Sileno: Croatian | |
| 31 | 115 82 03-84 | 1 | Technical Handbook -310, 315, Sileno: Slovenian | |
| 31 | 115 82 03-90 | 1 | Technical Handbook -310, 315, Sileno: Czech | |
| 31 | 115 82 03-96 | 1 | Technical Handbook -310, 315, Sileno: Spanish (USA) | |