

Trimmer 300 S



1. 1988

Spare parts

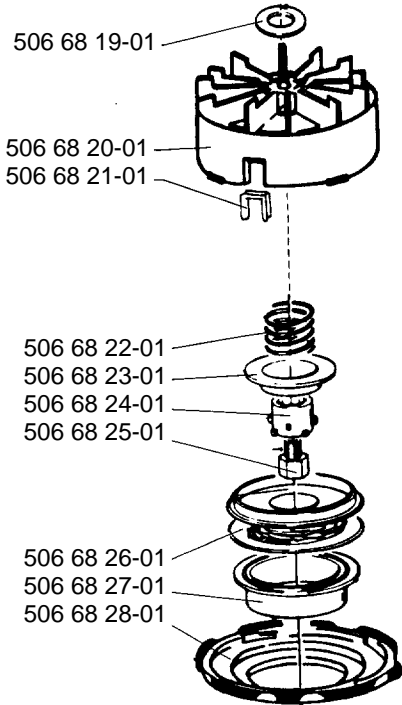
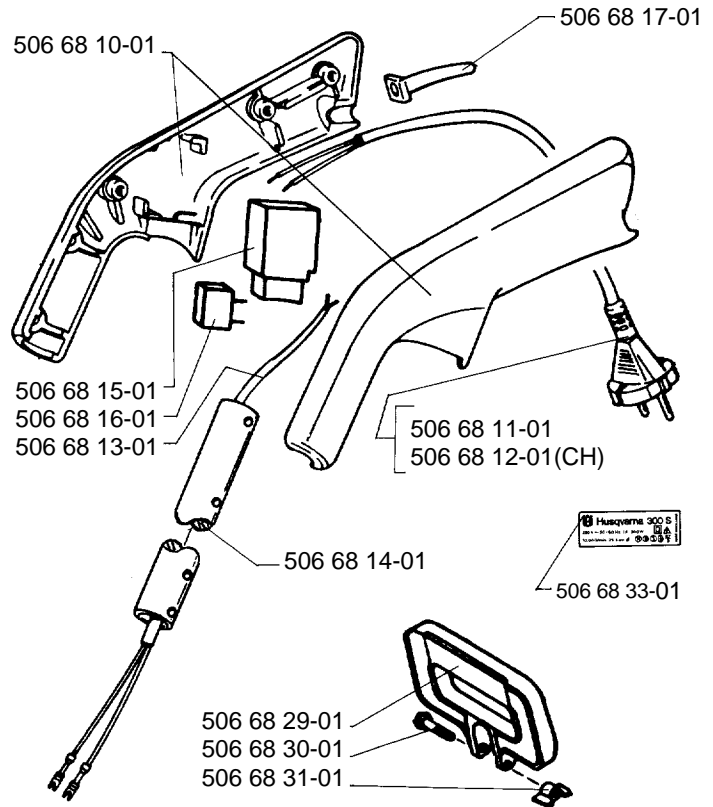
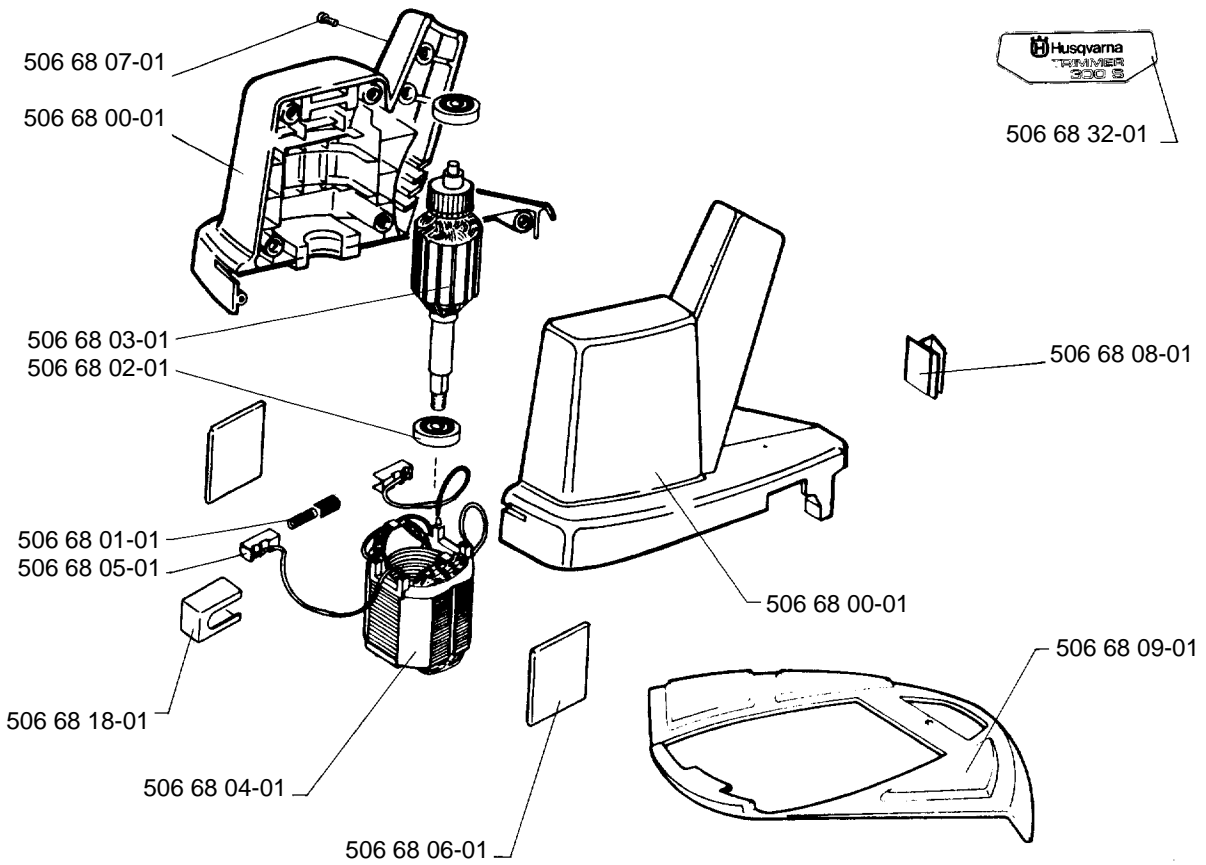
Ersatzteile

Pièces détachées

Reserve onderdelen

Repuestos

Reservdelar

A**B****C**

| Beställ.-nummer Part number Best. Nr No de commande Varaosa n:ro | Ruta Box Viereck Carreau Index | Anm. Remarks Anm. Notes Huom |
|---|---|---|
| 506 68 00-01 | C | |
| 506 68 01-01 | C | |
| 506 68 02-01 | C | |
| 506 68 03-01 | C | |
| 506 68 04-01 | C | |
| 506 68 05-01 | C | |
| 506 68 06-01 | C | |
| 506 68 07-01 | C | |
| 506 68 08-01 | C | |
| 506 68 09-01 | C | |
| 506 68 10-01 | B | |
| 506 68 11-01 | B | |
| 506 68 12-01 (CH) | B | |
| 506 68 13-01 | B | |
| 506 68 14-01 | B | |
| 506 68 15-01 | B | |
| 506 68 16-01 | B | |
| 506 68 17-01 | B | |
| 506 68 18-01 | C | |
| 506 68 19-01 | A | |
| 506 68 20-01 | A | |
| 506 68 21-01 | A | |
| 506 68 22-01 | A | |
| 506 68 23-01 | A | |
| 506 68 24-01 | A | |
| 506 68 25-01 | A | |
| 506 68 26-01 | A | |
| 506 68 27-01 | A | |
| 506 68 28-01 | A | |
| 506 68 29-01 | B | |
| 506 68 30-01 | B | |
| 506 68 31-01 | B | |
| 506 68 32-01 | C | |
| 506 68 33-01 | B | |