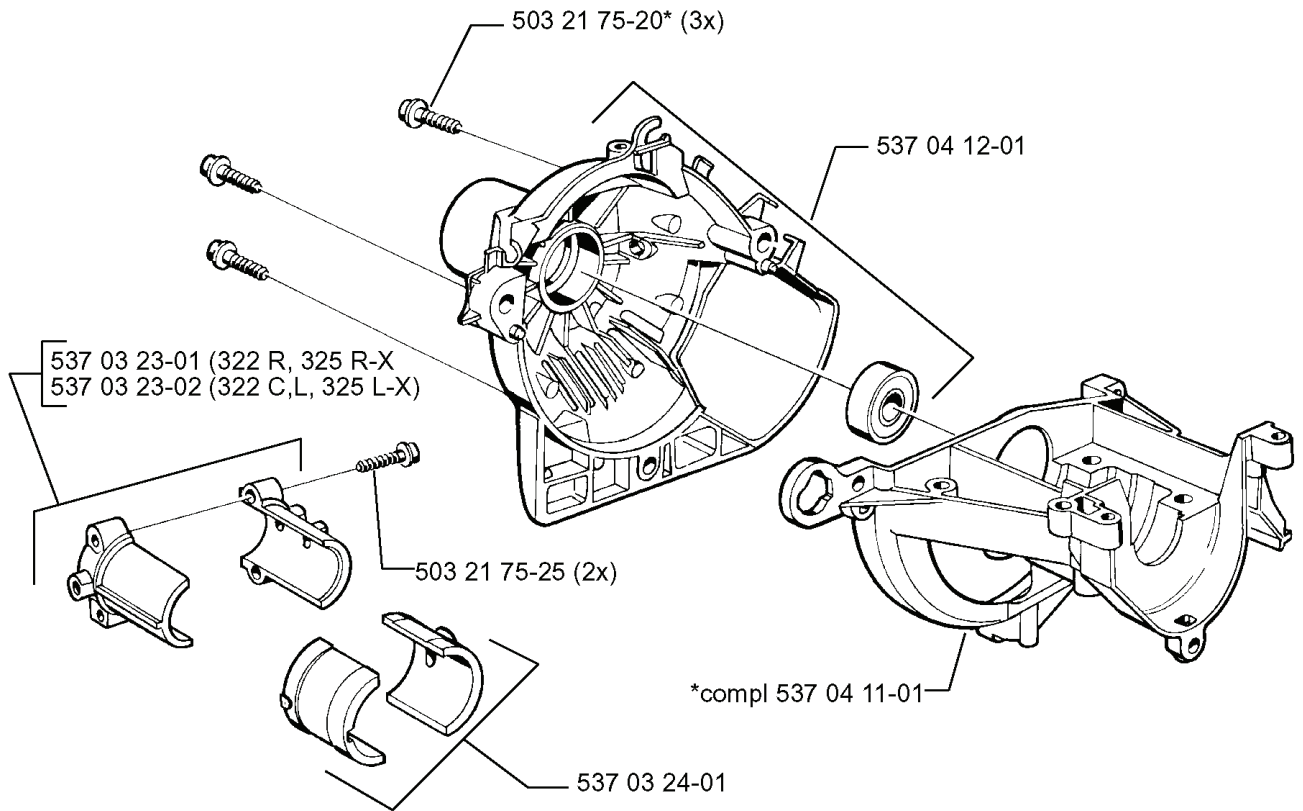


322 R, 19991000001-20001900000

SPARE PARTS LIST

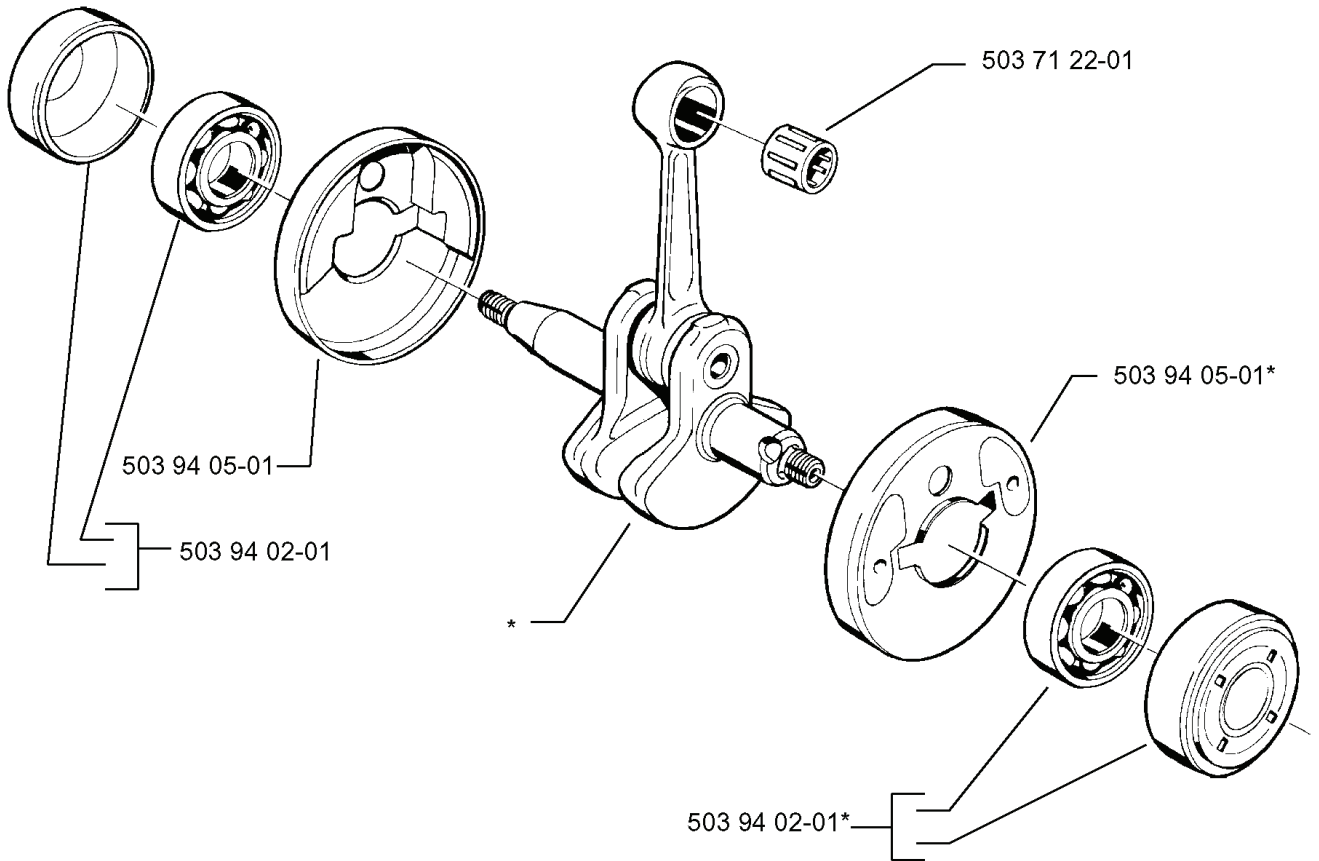
N



REF.	PART NO.	DESCRIPTION	REMARK	QTY.	KIT
503 21 75-20	503217520	SCREW IHSCFT	3X	1	
537 03 23-01	537032301	CLAMPING SLEEVE ASSY	322 R, 325 R-X	1	
537 03 23-02	537032302	CLAMPING SLEEVE ASSY	322 C.L, 325 L-X	1	
503 21 75-25	503217525	SCREW IHSCFT	2X	1	
537 03 24-01	537032401	INSULATOR		1	
537 04 11-01	537041101	CRANKCASE		1	
537 04 12-01	537041201	CLUTCH COVER		1	

P

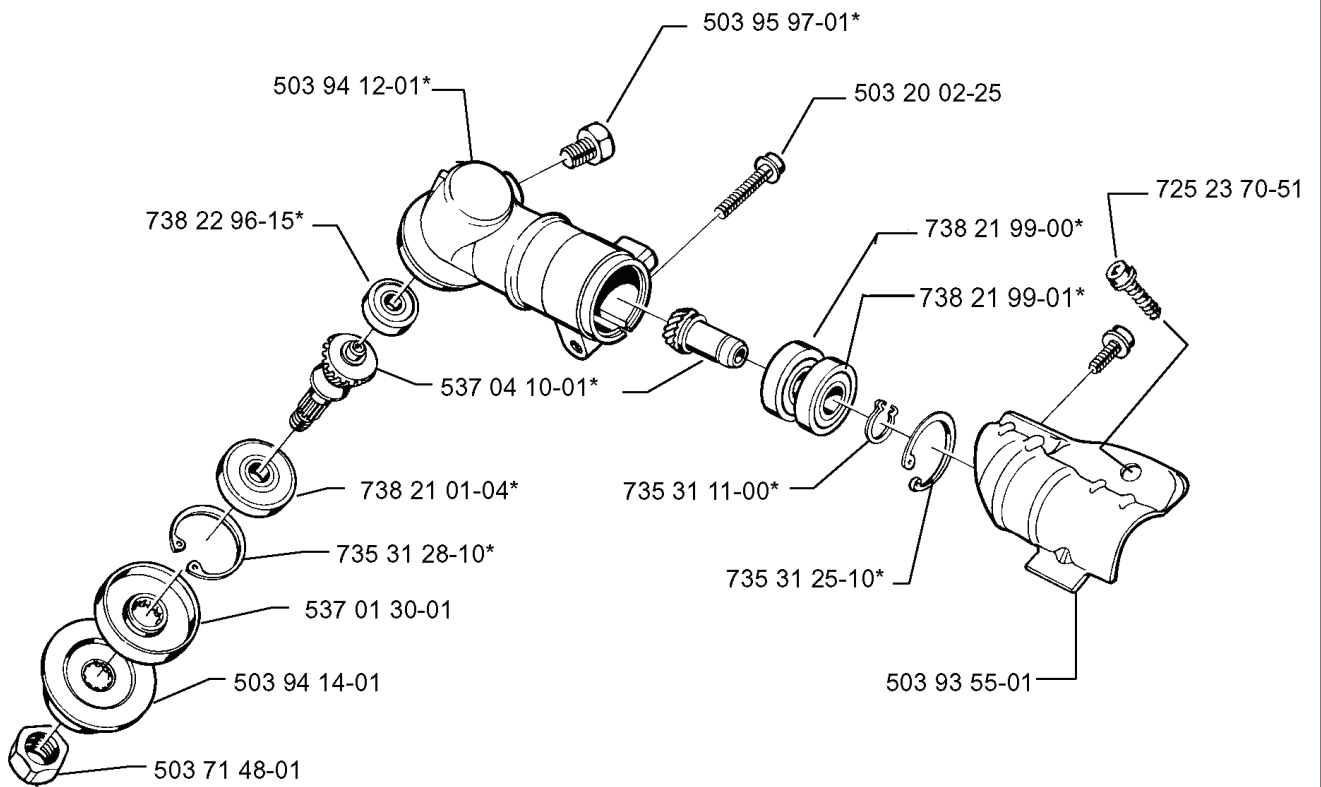
*compl 503 85 24-73



REF.	PART NO.	DESCRIPTION	REMARK	QTY.	KIT
503 85 24-73	503852473	CRANKSHAFT ASSY		1	
503 94 02-01	503940201	BEARING CAGE		1	
503 94 05-01	503940501	CUP		1	
503 71 22-01	503712201	BEARING		1	

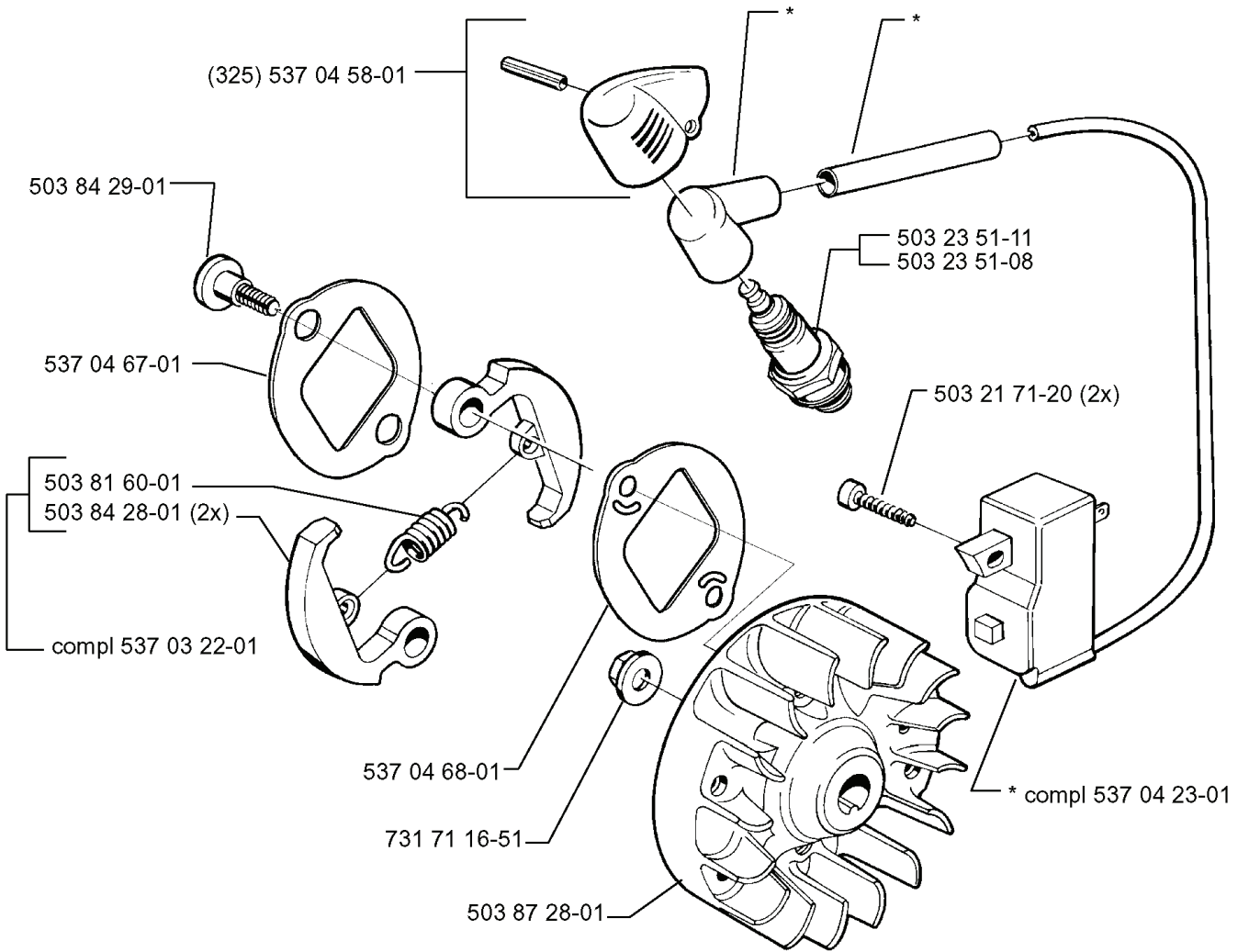
F 322 R
325 R-X

*compl 503 94 11-01



REF.	PART NO.	DESCRIPTION	REMARK	QTY.	KIT
50394 11-01	503941101	GEAR ASSY		1	
50394 12-01	503941201	GEAR HOUSING		1	
738 22 96-15	738229615	BALL BEARING		1	
53704 10-01	537041001	GEAR WHEEL KIT		1	
738 21 01-04	738210104	BALL BEARING		1	
735 31 28-10	735312810	CIRCLIP		1	
53701 30-01	537013001	DRIVER		1	
50394 14-01	503941401	SUPPORT FLANGE		1	
503 71 48-01	503714801	NUT BLADE		1	
503 93 55-01	503935501	CLAMPGUARD		1	
735 31 25-10	735312510	CIRCLIP		1	
735 31 11-00	735311100	CIRCLIP		1	
738 21 99-01	738219901	BALL BEARING		1	
738 21 99-00	738219900	BALL BEARING		1	
725 23 70-51	725237051	SCREW		1	
503 20 02-25	503200225	SCREW IHSCFM		1	
503 95 97-01	503959701	SCREW		1	

L

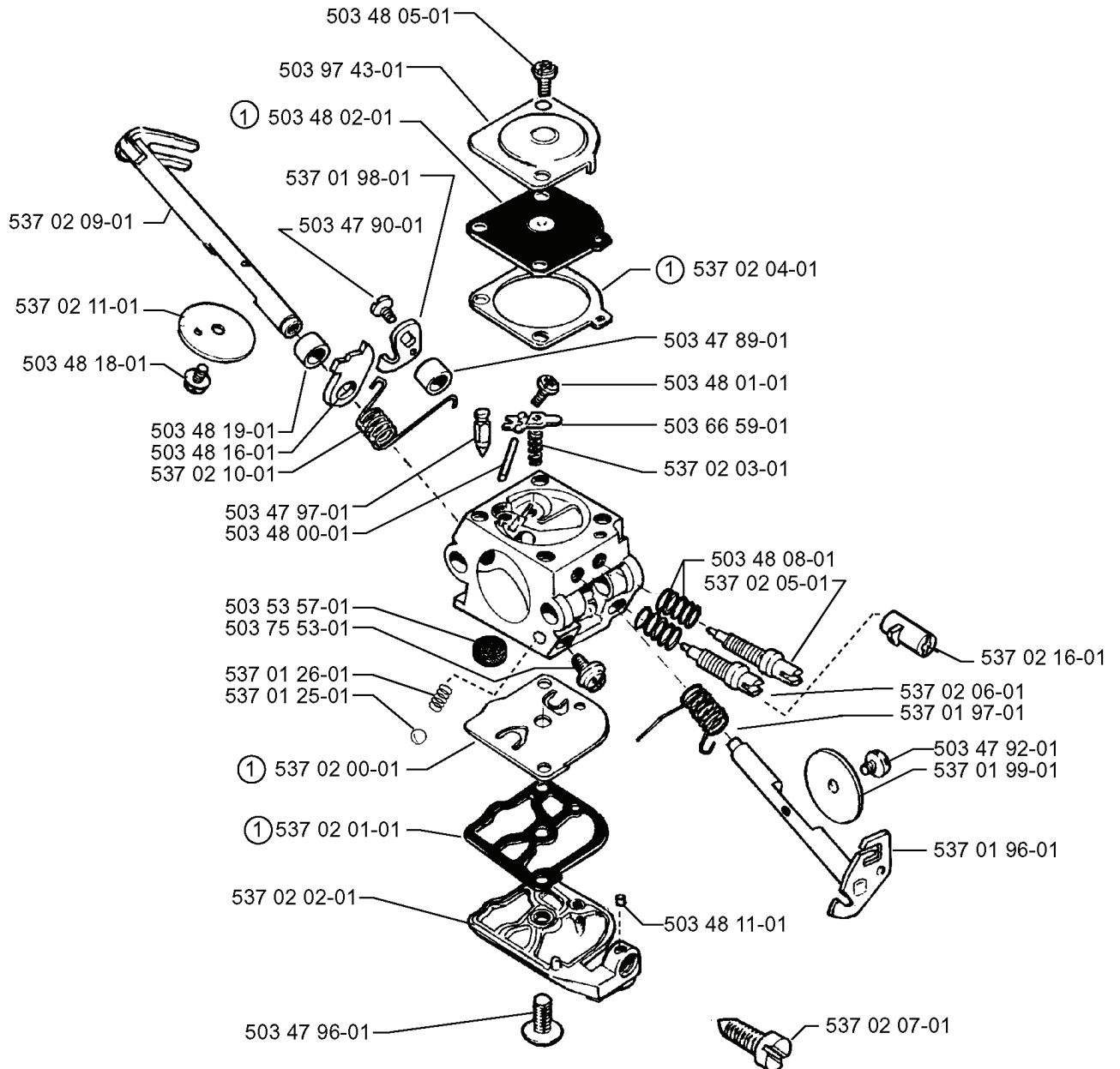


REF.	PART NO.	DESCRIPTION	REMARK	QTY.	KIT
537 04 58-01	537045801	COVER	325	1	
503 84 29-01	503842901	SCREW		1	
537 04 67-01	537046701	WASHER		1	
503 81 60-01	503816001	CLUTCH SPRING		1	
503 84 28-01	503842801	CLUTCH SHOE	2X	1	
537 03 22-01	537032201	CLUTCH ASSY		1	
537 04 68-01	537046801	WASHER		1	
731 71 16-51	731711651	HEXAGON NUT FLANGE		1	
503 87 28-01	503872801	FLYWHEEL		1	
537 04 23-01	537042301	IGNITION MODULE		1	
503 21 71-20	503217120	SCREW IHSCT	2X	1	
503 23 51-08	503235108	SPARK PLUG		1	
503 23 51-11	503235111	SPARK PLUG		1	

R

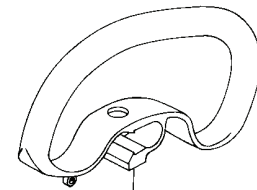
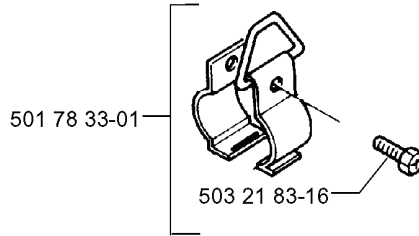
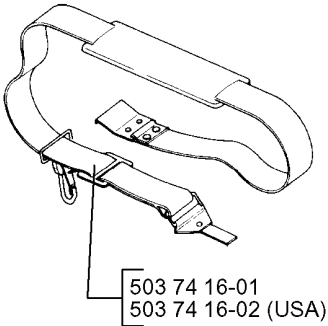
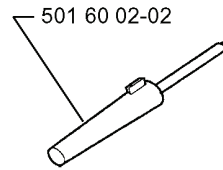
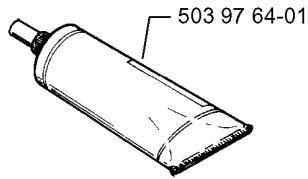
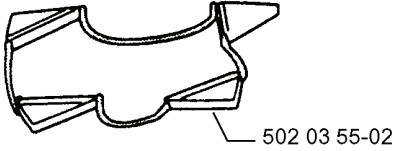
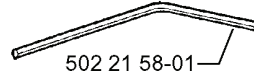
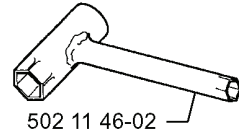
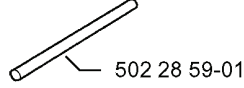
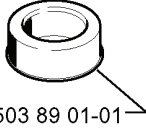
Compl 503 28 31-10

ZAMA C1Q - EL 11

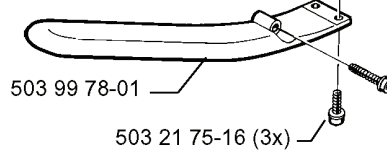
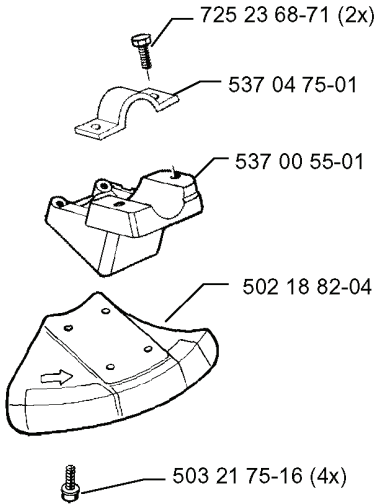


REF.	PART NO.	DESCRIPTION	REMARK	QTY.	KIT
503 28 31-10	503283110	CARBURETTOR		1	
503 48 05-01	503480501	SCREW		1	
503 97 43-01	503974301	COVER		1	
503 48 02-01	503480201	DIAPHRAGM		1	
537 01 98-01	537019801	LEVER		1	
503 47 90-01	503479001	SCREW		1	
537 02 09-01	537020901	SHAFT ASSY		1	
537 02 11-01	537021101	VALVE		1	
503 48 18-01	503481801	SCREW		1	
503 48 19-01	503481901	COLLAR		1	
503 48 16-01	503481601	LEVER		1	
537 02 10-01	537021001	SPRING		1	
503 47 97-01	503479701	VALVE		1	
503 48 00-01	503480001	PIN RETAINING SCREW		1	
503 53 57-01	503535701	STRAINER		1	
503 75 53-01	503755301	SCREW		1	
537 01 26-01	537012601	SPRING		1	
537 01 25-01	537012501	BALL		1	
537 02 00-01	537020001	DIAPHRAGM PUMP		1	
537 02 01-01	537020101	GASKET		1	
537 02 02-01	537020201	COVER		1	
503 47 96-01	503479601	SCREW		1	
537 02 07-01	537020701	SCREW		1	
503 48 11-01	503481101	PIECE		1	
537 01 96-01	537019601	SHAFT ASSY		1	
537 01 99-01	537019901	VALVE		1	
503 47 92-01	503479201	SCREW		1	
537 01 97-01	537019701	SPRING		1	
537 02 06-01	537020601	SCREW		1	
537 02 16-01	537021601	LIMITER CAP		1	
537 02 05-01	537020501	SCREW		1	
503 48 08-01	503480801	SPRING		1	
537 02 03-01	537020301	SPRING		1	
503 66 59-01	503665901	LEVER		1	
503 48 01-01	503480101	SCREW		1	
503 47 89-01	503478901	COLLAR		1	
537 02 04-01	537020401	GASKET		1	

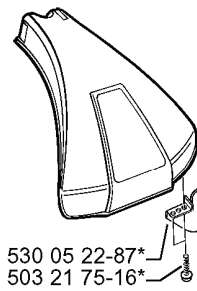
Q Accessories
Zubehöre
Accessoires
Acessorios
Tillbehör



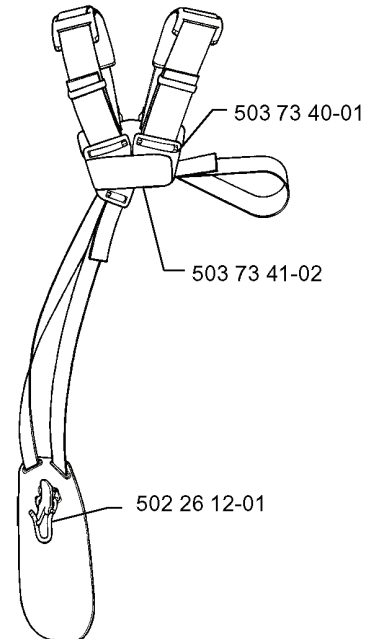
***compl 537 02 21-01**



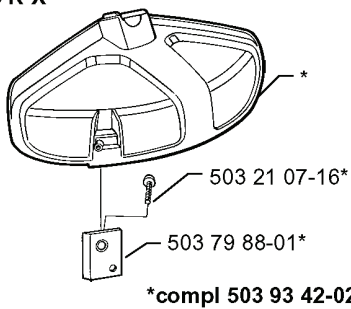
322 C *compl 537 02 61-01



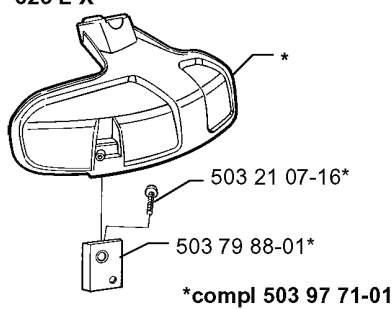
**compl 503 73 63-03
 compl 503 73 63-04 (USA)**



**322R
 325 R-X**



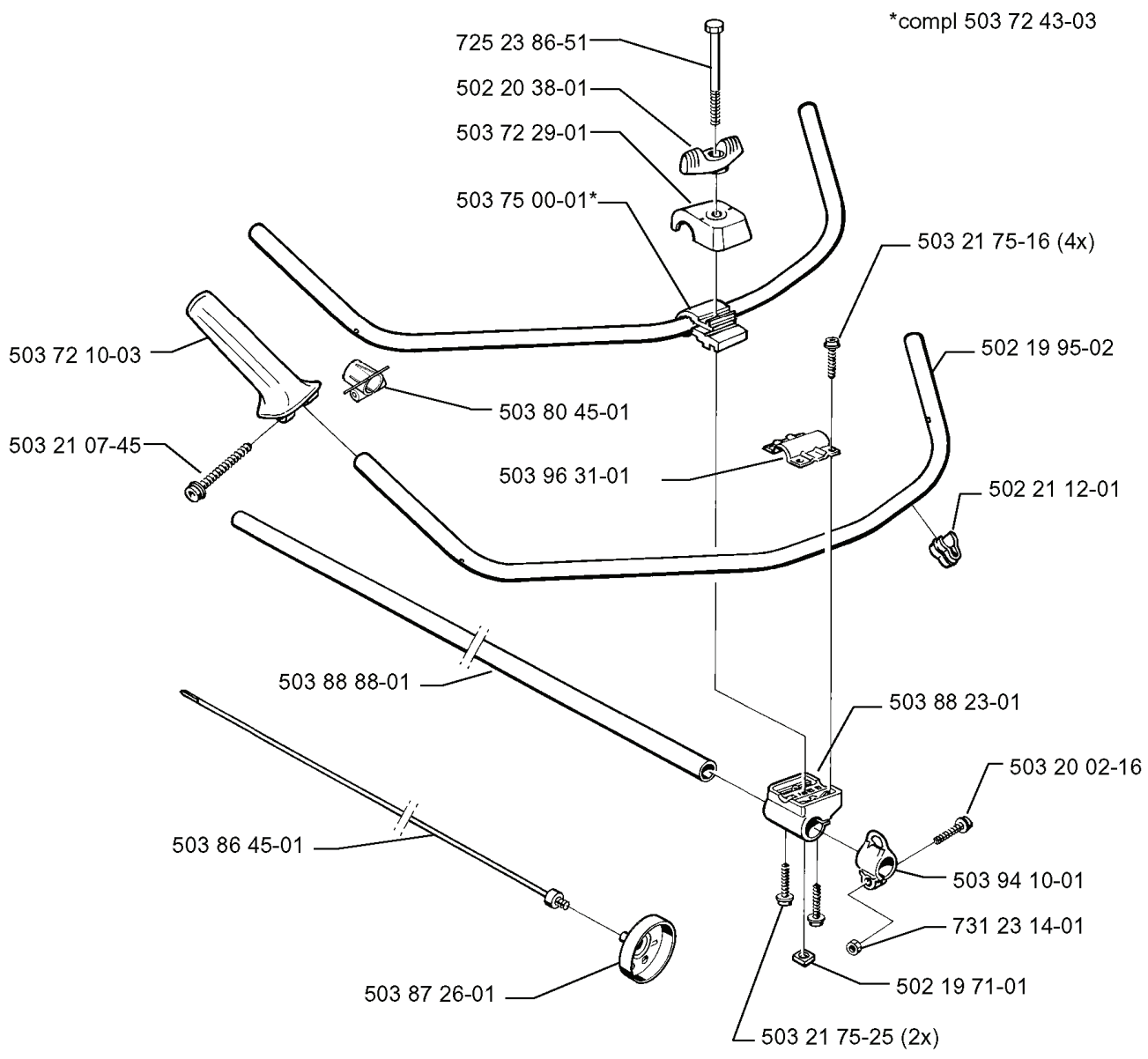
**322 L
 325 L-X**



REF.	PART NO.	DESCRIPTION	REMARK	QTY.	KIT
5038901-01	503890101	SUPPORT CUP		1	
5020355-02	502035502	TRANSPORTSKYDD KPL		1	
5037416-01	503741601	HARNESS ASSY		1	
5037416-02	503741602	HARNESS ASSY	USA	1	
5370221-01	537022101	SAW BLADE GUARD		1	
7252368-71	725236871	SCREW EHHM	2X	1	
5370475-01	537047501	CLAMP		1	
5370055-01	537005501	ADAPTER		1	
5021882-04	502188204	BLADE GUARD		1	
5032107-16	503210716	SCREW IHSCFT		1	
5039342-02	503934202	COMBINATION GUARD		1	
5039771-01	503977101	TRIMMER GUARD ASSY		1	
5037988-01	503798801	BLADE		1	
5032175-16	503217516	SCREW IHSCFT	3X	1	
5300522-87	530052287	BLADE		1	
5370261-01	537026101	TRIMMER GUARD		1	
5017833-01	501783301	SUSPENSION BAIL		1	
5022859-01	502285901	STOP		1	
5039764-01	503976401	GREASE		1	
5032183-16	503218316	SCREW		1	
5039978-01	503997801	HANDLE		1	
5022612-01	502261201	WELT HOOK		1	
5037341-02	503734102	BUCKLE		1	
5037340-01	503734001	FRONT PIECE		1	
5037363-04	503736304	HARNESS ASSY	USA	1	
5037363-03	503736303	HARNESS		1	
5016002-02	501600202	SCREWDRIVER		1	
5022158-01	502215801	WRENCH		1	
5021146-02	502114602	SOCKET WRENCH		1	

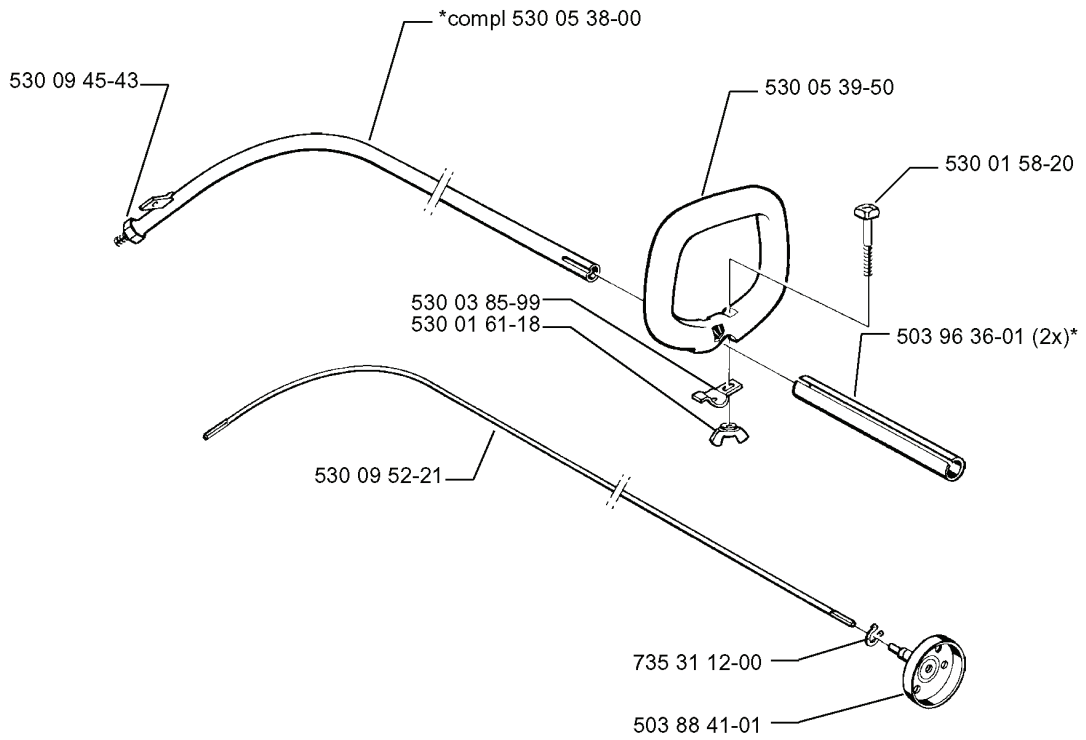
C

322 R
325 R-X

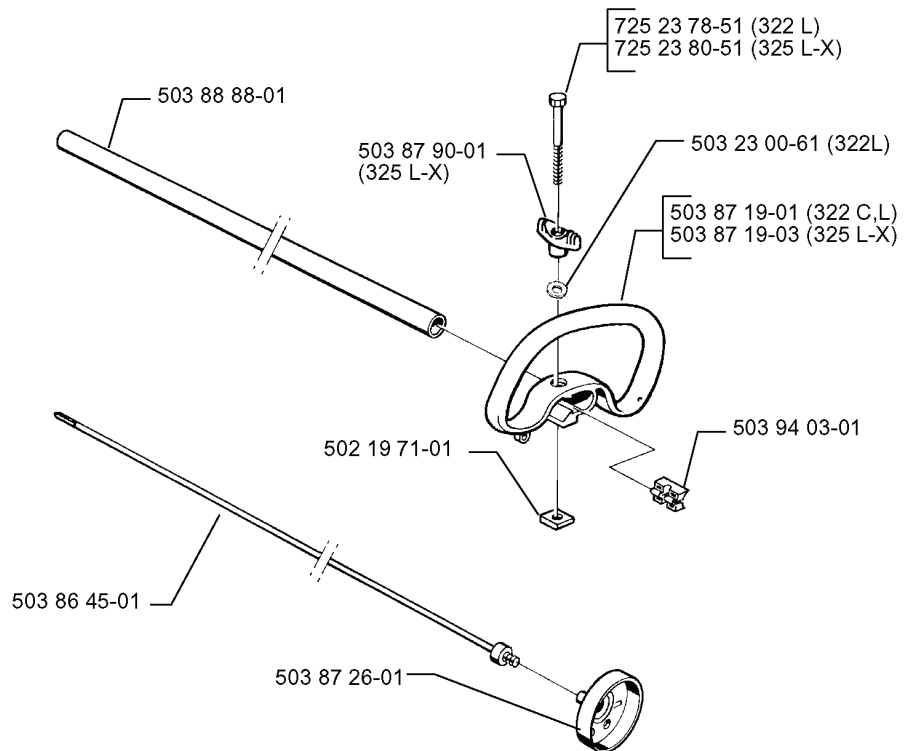


REF.	PART NO.	DESCRIPTION	REMARK	QTY.	KIT
503 88 88-01	503888801	TUBE		1	
503 86 45-01	503864501	DRIVE SHAFT		1	
503 87 26-01	503872601	CLUTCH DRUM ASSY		1	
502 19 71-01	502197101	SQUARE NUT		1	
503 87 90-01	503879001	KNOB	325 L-X	1	
503 94 03-01	503940301	DISTANCE		1	
503 88 41-01	503884101	CLUTCH DRUM		1	
503 87 19-03	503871903	HANDLE	325 L-X	1	
503 87 19-01	503871901	HANDLE LOOP	322 C.L	1	
503 23 00-61	503230061	WASHER	322L	1	
725 23 80-51	725238051	SCREW EHHM	325 L-X	1	
503 96 36-01	503963601	PIPE		1	
725 23 78-51	725237851	SCREW EHHM	322 L	1	
530 01 58-20	530015820	SCREW		1	
530 01 61-18	530016118	WING NUT		1	
530 03 85-99	530038599	BRACKET		1	
530 05 38-00	530053800	SHAFT		1	
530 05 39-50	530053950	HANDLE		1	
530 09 45-43	530094543	DRIVER		1	
530 09 52-21	530095221	SHAFT		1	
735 31 12-00	735311200	CIRCLIP		1	

A 322 C



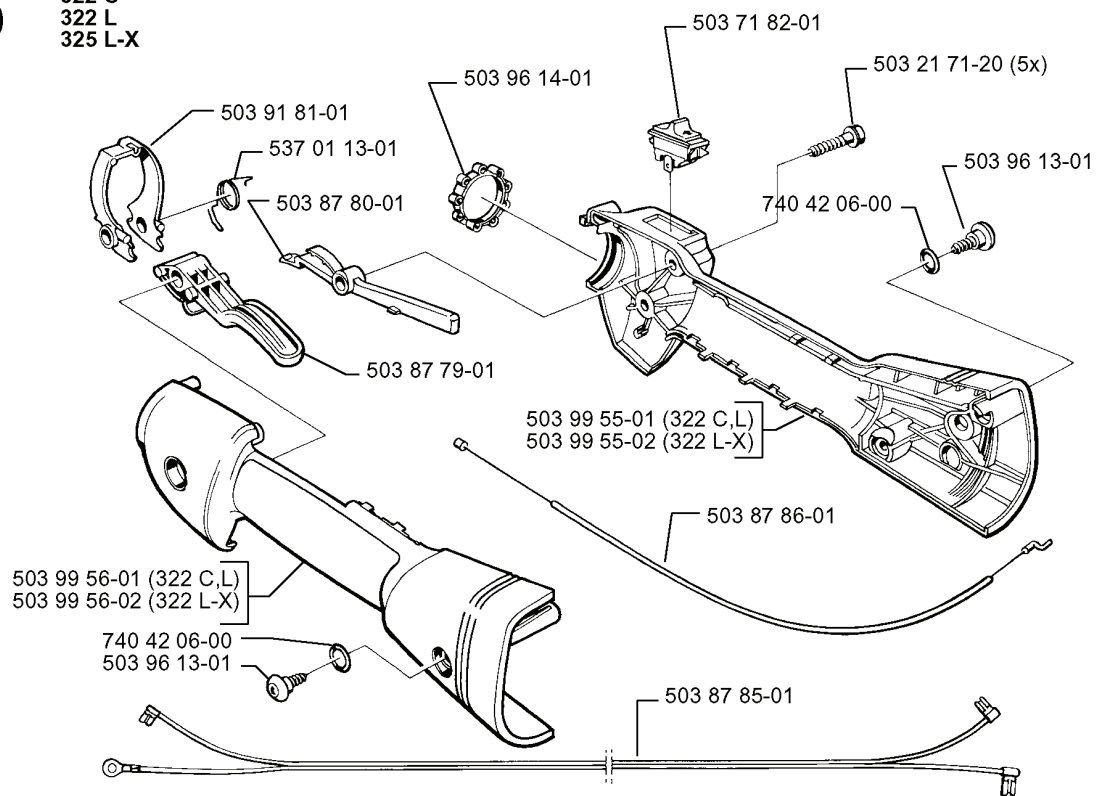
B 322 L
325 L-X



REF.	PART NO.	DESCRIPTION	REMARK	QTY.	KIT
502 19 71-01	502197101	SQUARE NUT		1	
502 19 95-02	502199502	HANDLEBAR		1	
502 20 38-01	502203801	KNOB		1	
502 21 12-01	502211201	STAPLE		1	
503 20 02-16	503200216	SCREW IHSCFM		1	
503 21 07-45	503200216	SCREW IHSCFM		1	
503 21 75-16	503217516	SCREW IHSCFT		1	
503 21 75-25	503217525	SCREW IHSCFT		1	
503 72 10-03	503721003	HANDLE		1	
503 72 29-01	503722901	COVER		1	
503 72 43-03	503724303	HANDLEBAR PART ASSY		1	
503 75 00-01	503750001	HANDLEBAR BRACKET		1	
503 80 45-01	503804501	BRACKET		1	
503 86 45-01	503864501	DRIVE SHAFT		1	
503 87 26-01	503872601	CLUTCH DRUM ASSY		1	
503 88 23-01	503882301	BRACKET		1	
503 88 88-01	503888801	TUBE		1	
503 94 10-01	503941001	HOOK		1	
503 96 31-01	503963101	BRACKET		1	
725 23 86-51	725238651	SCREW EHHM		1	
731 23 14-01	731231401	HEXAGON NUT		1	

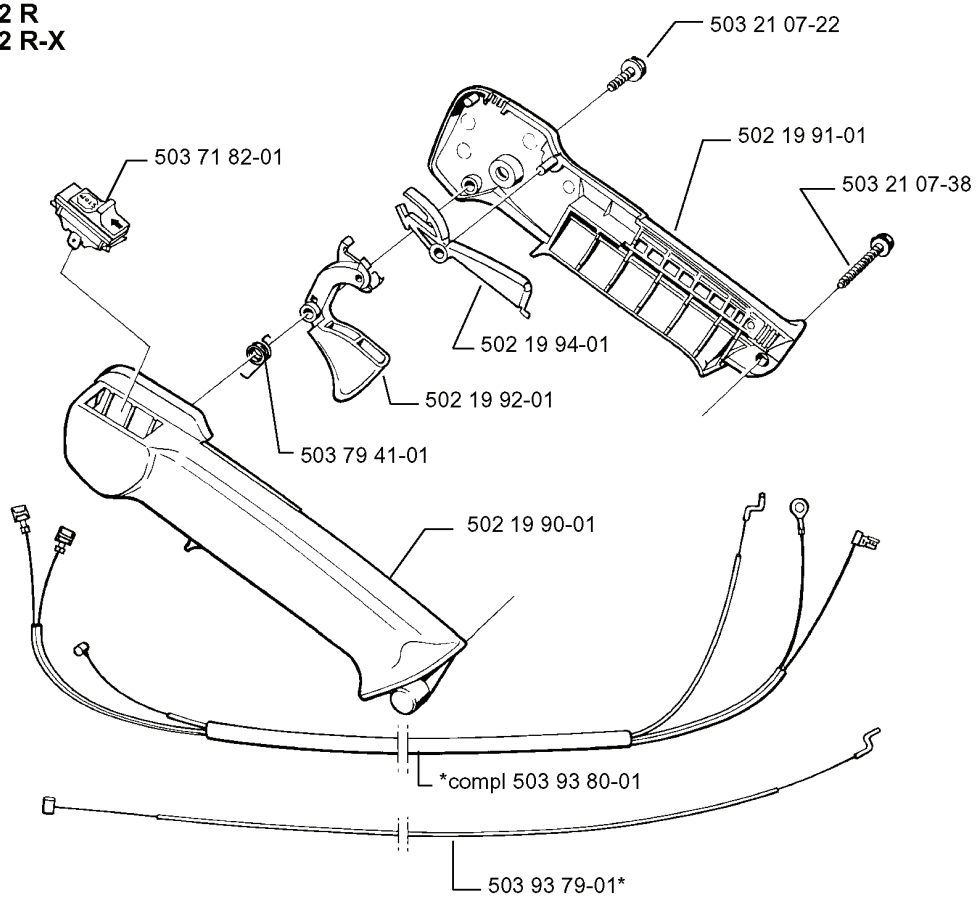
D

322 C
322 L
325 L-X



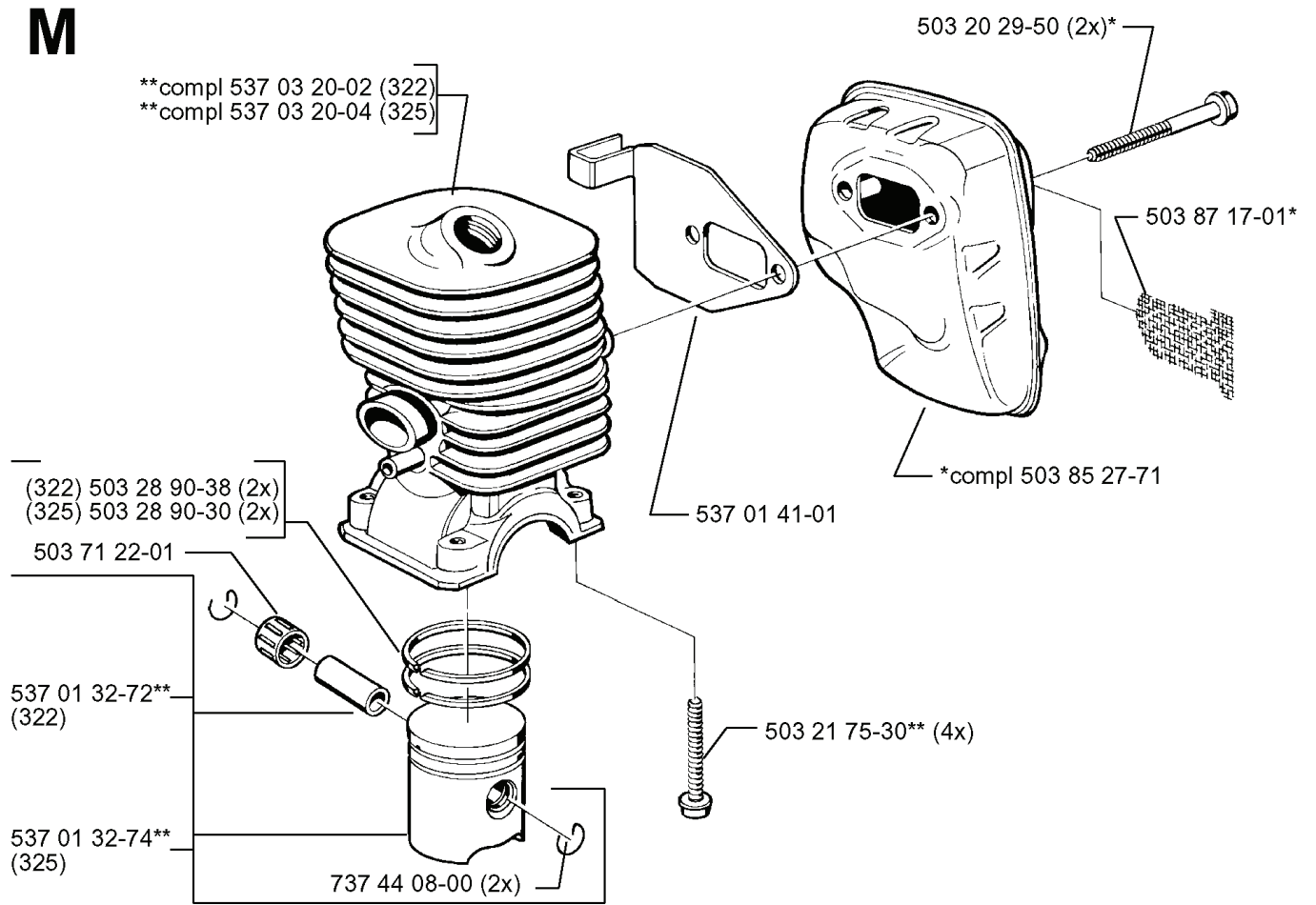
E

322 R
322 R-X



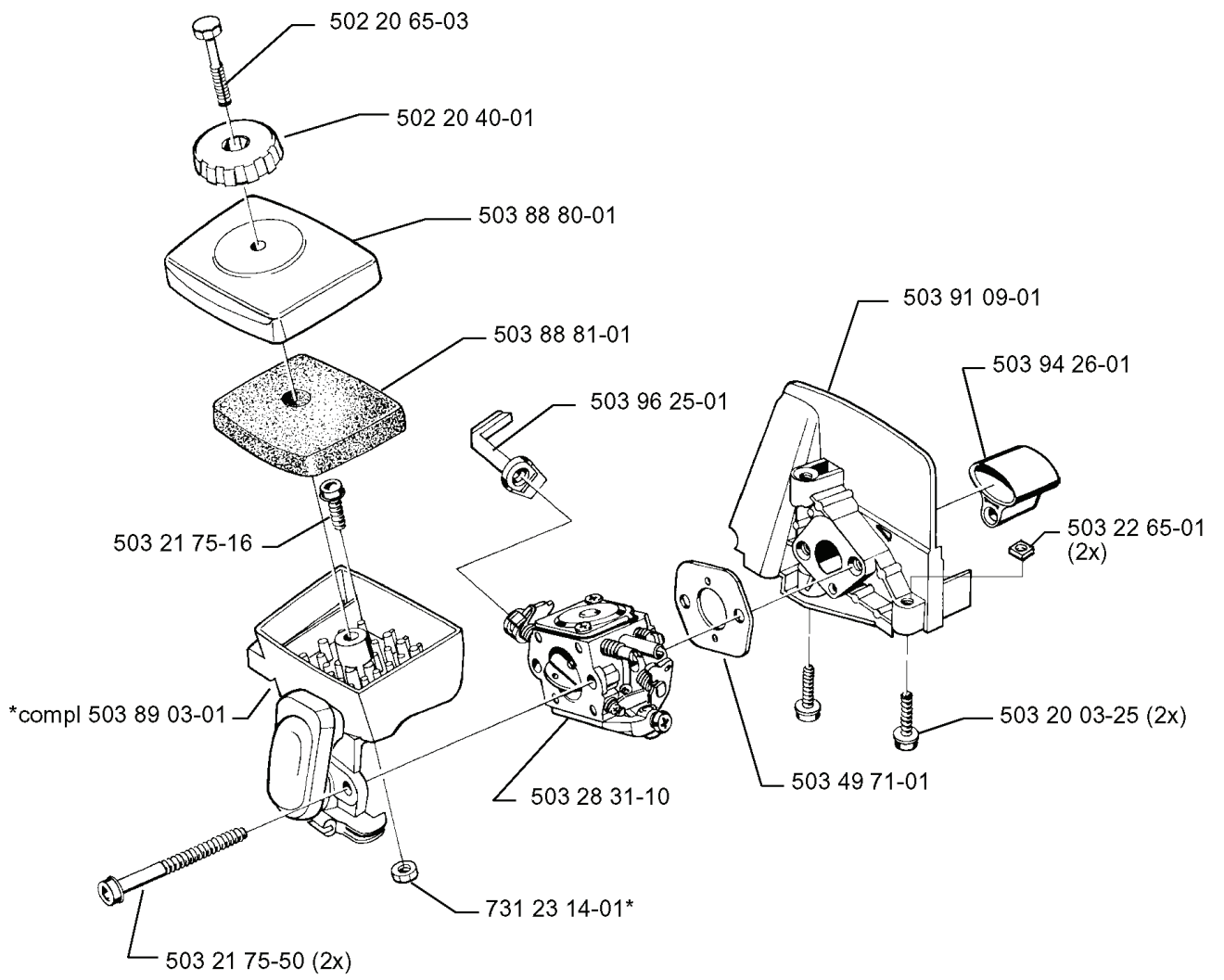
REF.	PART NO.	DESCRIPTION	REMARK	QTY.	KIT
502 1990-01	502199001	HANDLE HALF		1	
502 1991-01	502199101	HANDLE HALF		1	
503 9181-01	503918101	THROTTLE LEVER		1	
537 0113-01	537011301	RECOIL SPRING		1	
502 1992-01	502199201	THROTTLE TRIGGER		1	
502 1994-01	502199401	THROTTLE LOCKOUT		1	
503 8780-01	503878001	THROTTLE LOCKOUT		1	
503 8779-01	503877901	THROTTLE TRIGGER		1	
503 2107-22	503210722	SCREW IHSCT		1	
503 2107-38	503210738	SCREW IHSCT		1	
503 9956-01	503995601	HANDLE HALF	322 C.L	1	
503 9956-02	503995602	HANDLE HALF	322 L-X	1	
503 7941-01	503794101	RECOIL SPRING		1	
503 8785-01	503878501	SHORT CIRCUIT CABLE		1	
503 8786-01	503878601	THROTTLE CABLE ASSY		1	
503 9955-02	503995502	HANDLE HALF	322 L-X	1	
503 9955-01	503995501	HANDLE HALF	322 C.L	1	
740 4206-00	740420600	O-RING		1	
503 9379-01	503937901	THROTTLE CABLE ASSY		1	
503 9613-01	503961301	SCREW		1	
503 9380-01	503938001	WIRING ASSY		1	
503 2171-20	503217120	SCREW IHSCT	5X	1	
503 7182-01	503718201	SWITCH		1	
503 9614-01	503961401	ABSORBER		1	

M



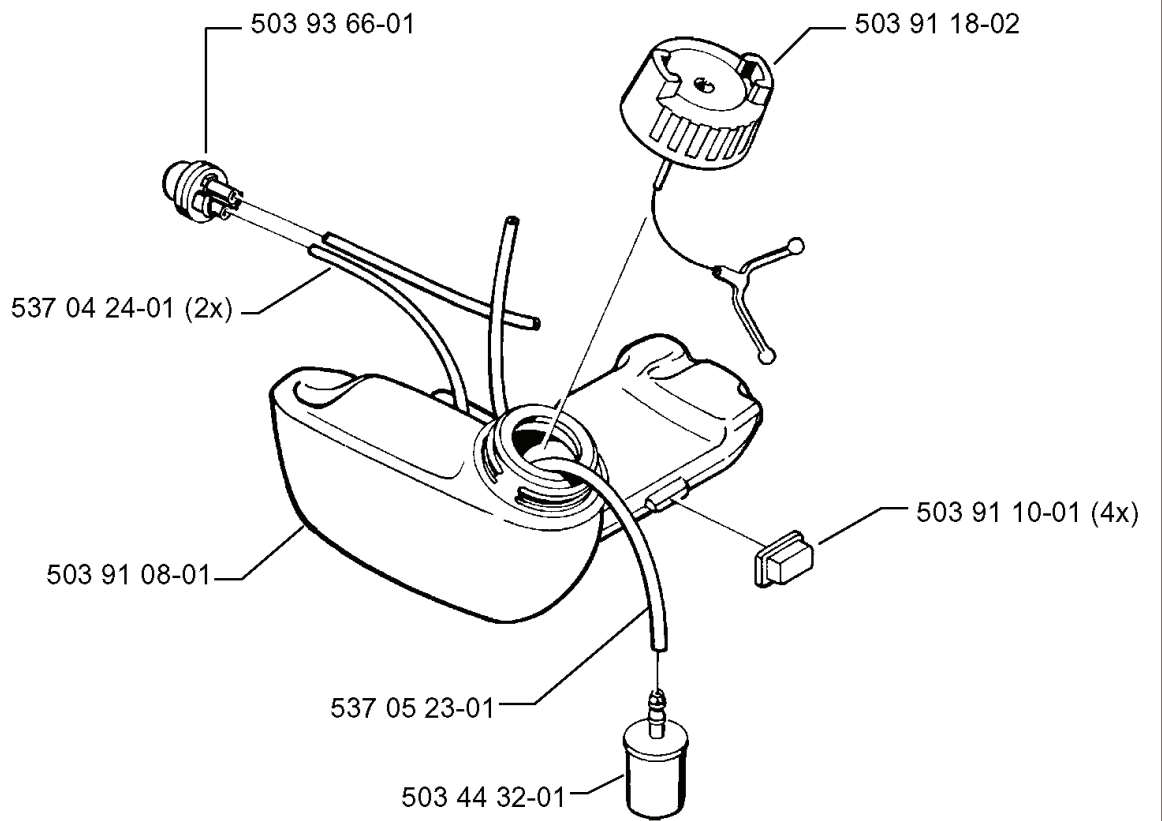
REF.	PART NO.	DESCRIPTION	REMARK	QTY.	KIT
537 03 20-02	537032002	PISTON	322	1	
537 03 20-04	537032004	PISTON	325	1	
503 28 90-38	503289038	PISTON RING	322 2X	1	
503 28 90-30	503289030	PISTON RING	325 2X	1	
503 71 22-01	503712201	BEARING		1	
537 01 32-72	537013272	PISTON	322	1	
537 01 32-74	537013274	PISTON	325	1	
737 44 08-00	737440800	CIRCLIP	2X	1	
503 21 75-30	503217530	SCREW IHSCFT	4X	1	
537 01 41-01	537014101	GASKET		1	
503 85 27-71	503852771	MUFFLER ASSY		1	
503 87 17-01	503871701	SPARK ARRESTER SCREEN		1	
503 20 29-50	503202950	SCREW IHSCFM	2X	1	

H



REF.	PART NO.	DESCRIPTION	REMARK	QTY.	KIT
502 20 65-03	502206503	SCREW EHHM		1	
502 20 40-01	502204001	KNOB		1	
503 88 80-01	503888001	FILTER COVER		1	
503 88 81-01	503888101	AIR FILTER		1	
503 96 25-01	503962501	CHOKE CONTROL		1	
503 21 75-16	503217516	SCREW IHSCFT		1	
503 89 03-01	503890301	FILTER HOLDER		1	
503 21 75-50	503217550	SCREW IHSCFT	2X	1	
731 23 14-01	731231401	HEXAGON NUT		1	
503 28 31-10	503283110	CARBURETTOR		1	
503 49 71-01	503497101	GASKET		1	
503 20 03-25	503200325	SCREW IHSCFM	2X	1	
503 22 65-01	503226501	SQUARE NUT	2X	1	
503 94 26-01	503942601	INLET PIPE		1	
503 91 09-01	503910901	INSULATION WALL		1	

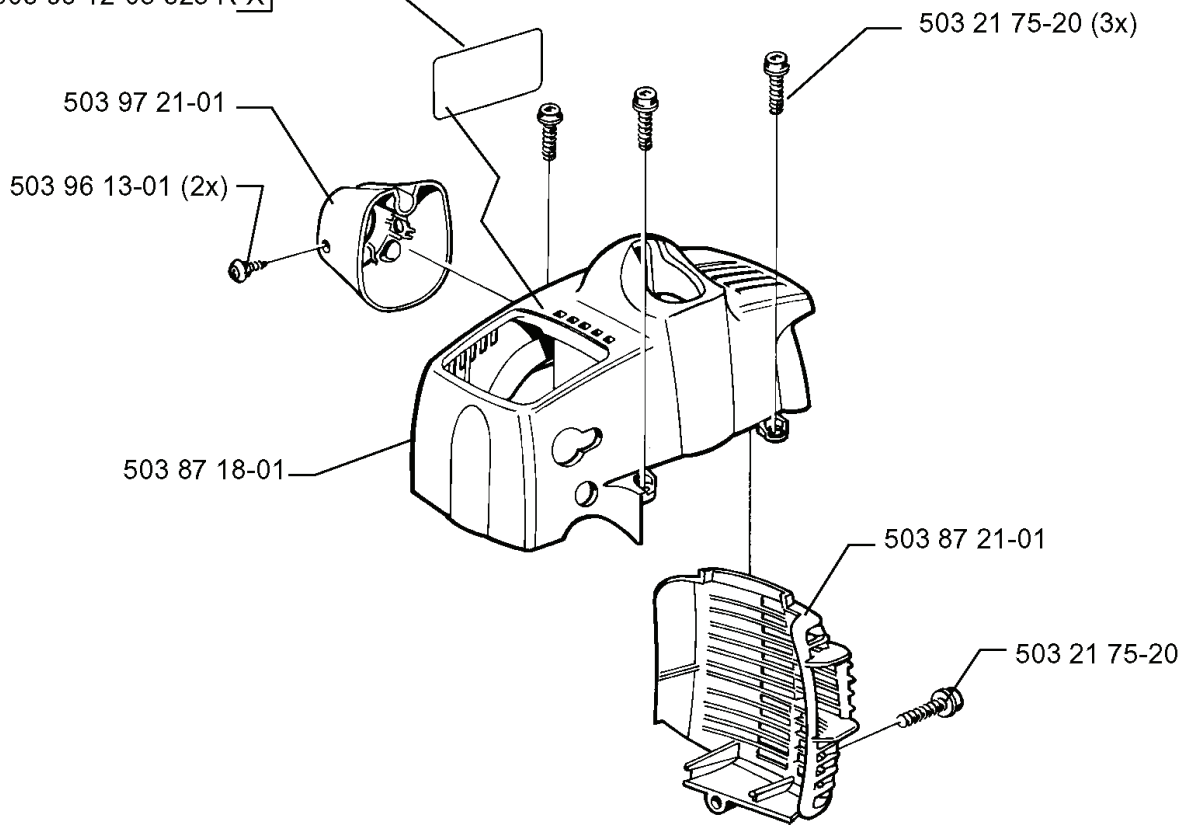
K



REF.	PART NO.	DESCRIPTION	REMARK	QTY.	KIT
5039366-01	503936601	PURGE		1	
5370424-01	537042401	FUEL HOSE	2X	1	
5039108-01	503910801	FUEL TANK		1	
5370523-01	537052301	FUEL HOSE		1	
5034432-01	503443201	FUEL FILTER		1	
5039110-01	503911001	SUSPENSION	4X	1	
5039118-02	503911802	TANK CAP		1	

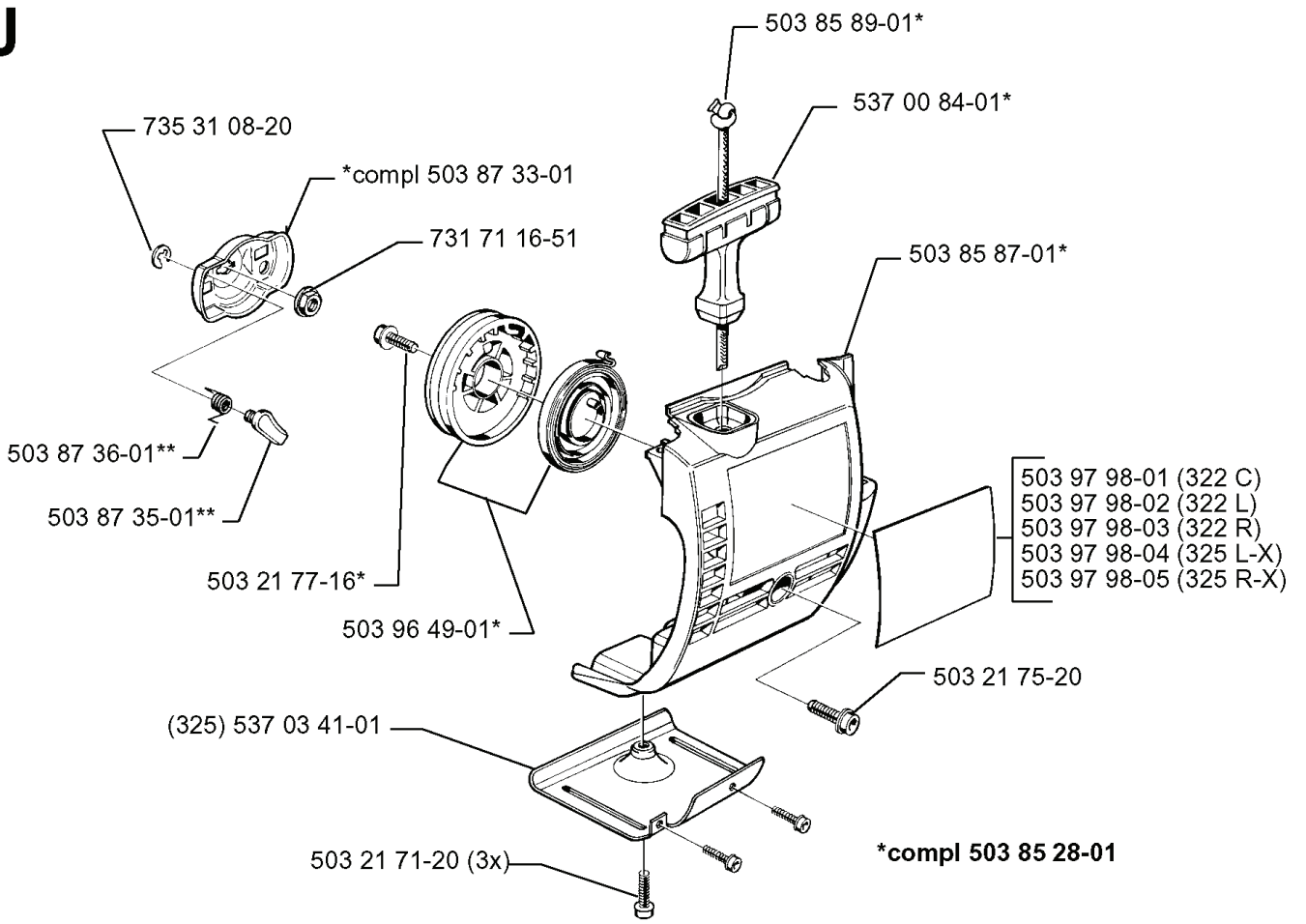
G

- 503 98 12-01 322 C
- 503 98 12-02 322 L
- 503 98 12-03 322 R
- 503 98 12-04 325 L-X
- 503 98 12-05 325 R-X



REF.	PART NO.	DESCRIPTION	REMARK	QTY.	KIT
50398 12-01	503981201	LABEL	322 C	1	
50398 12-02	503981202	LABEL	322 L	1	
50398 12-03	503981203	LABEL	322 R	1	
50398 12-04	503981204	LABEL	325 L-X	1	
50398 12-05	503981205	LABEL	325 R-X	1	
50397 21-01	503972101	COVER		1	
50396 13-01	503961301	SCREW	2X	1	
50387 18-01	503871801	CYLINDER COVER		1	
50387 21-01	503872101	HEAT PROTECTOR		1	
50321 75-20	503217520	SCREW IHSCFT	3X	1	

J



REF.	PART NO.	DESCRIPTION	REMARK	QTY.	KIT
735 31 08-20	735310820	E-CLIP		1	
503 87 33-01	503873301	STARTER PAWL BRIDGE		1	
731 71 16-51	731711651	HEXAGON NUT FLANGE		1	
503 87 36-01	503873601	SPRING		1	
503 87 35-01	503873501	STARTER PAWL		1	
503 21 77-16	503217716	SCREW IHSC T		1	
503 96 49-01	503964901	STARTER PULLEY		1	
537 03 41-01	537034101	PROTECTIVE PLATE	325	1	
503 21 71-20	503217120	SCREW IHSC T	3X	1	
503 85 28-01	503852801	STARTER ASSY		1	
503 21 75-20	503217520	SCREW IHSC FT		1	
503 97 98-05	503979805	DECAL	325 R-X	1	
503 97 98-04	503979804	DECAL	325 L-X	1	
503 97 98-03	503979803	DECAL	322 R	1	
503 97 98-02	503979802	DECAL	322 L	1	
503 97 98-01	503979801	DECAL	322 C	1	
503 85 87-01	503858701	STARTER HOUSING		1	
537 00 84-01	537008401	STARTER HANDLE		1	
503 85 89-01	503858901	STARTER ROPE		1	