

322 R, 20001900001-20010500000

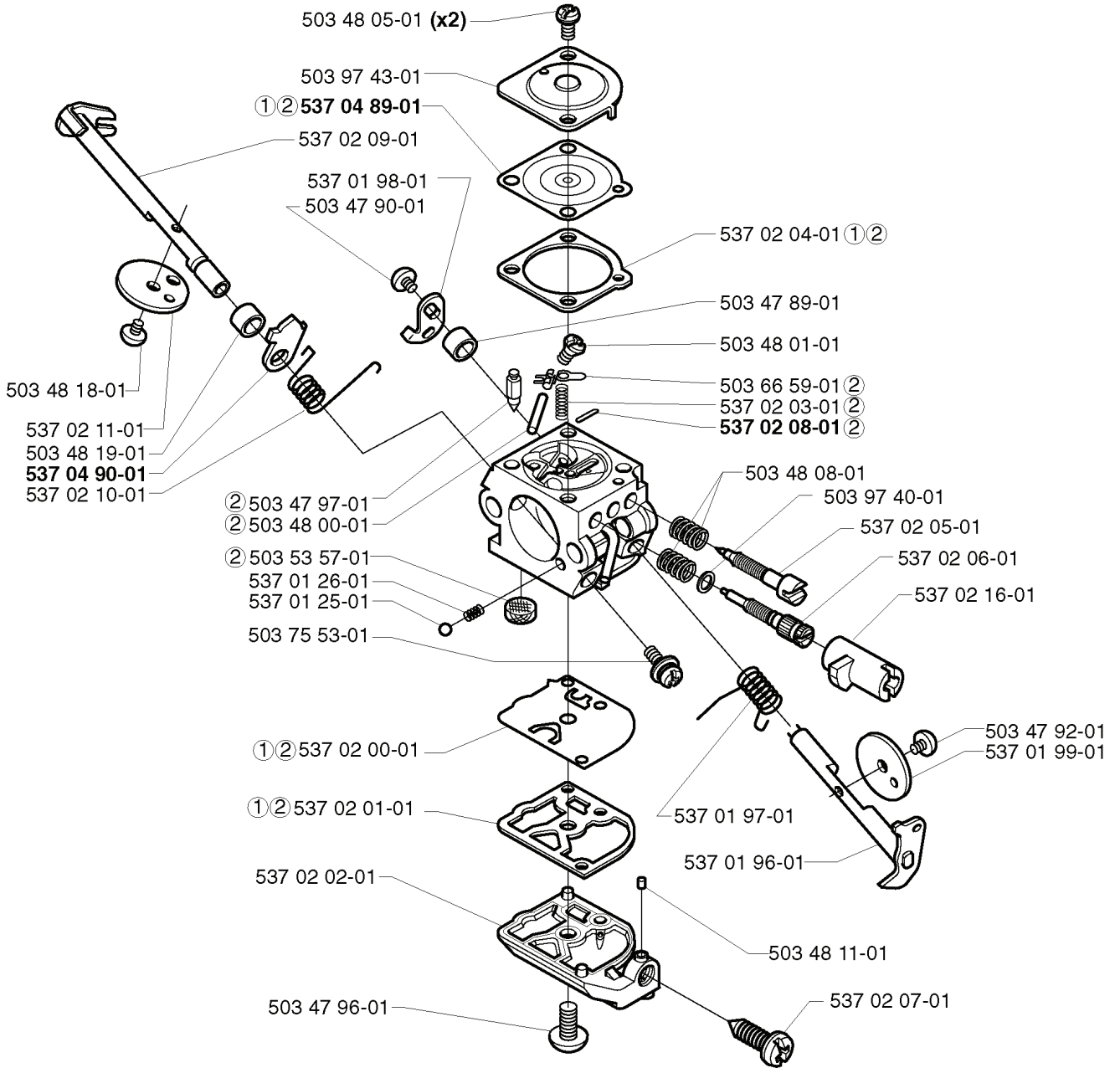
---

# **SPARE PARTS LIST**

**R**

一体型 503 28 31-10

ZAMA C1Q - EL 11



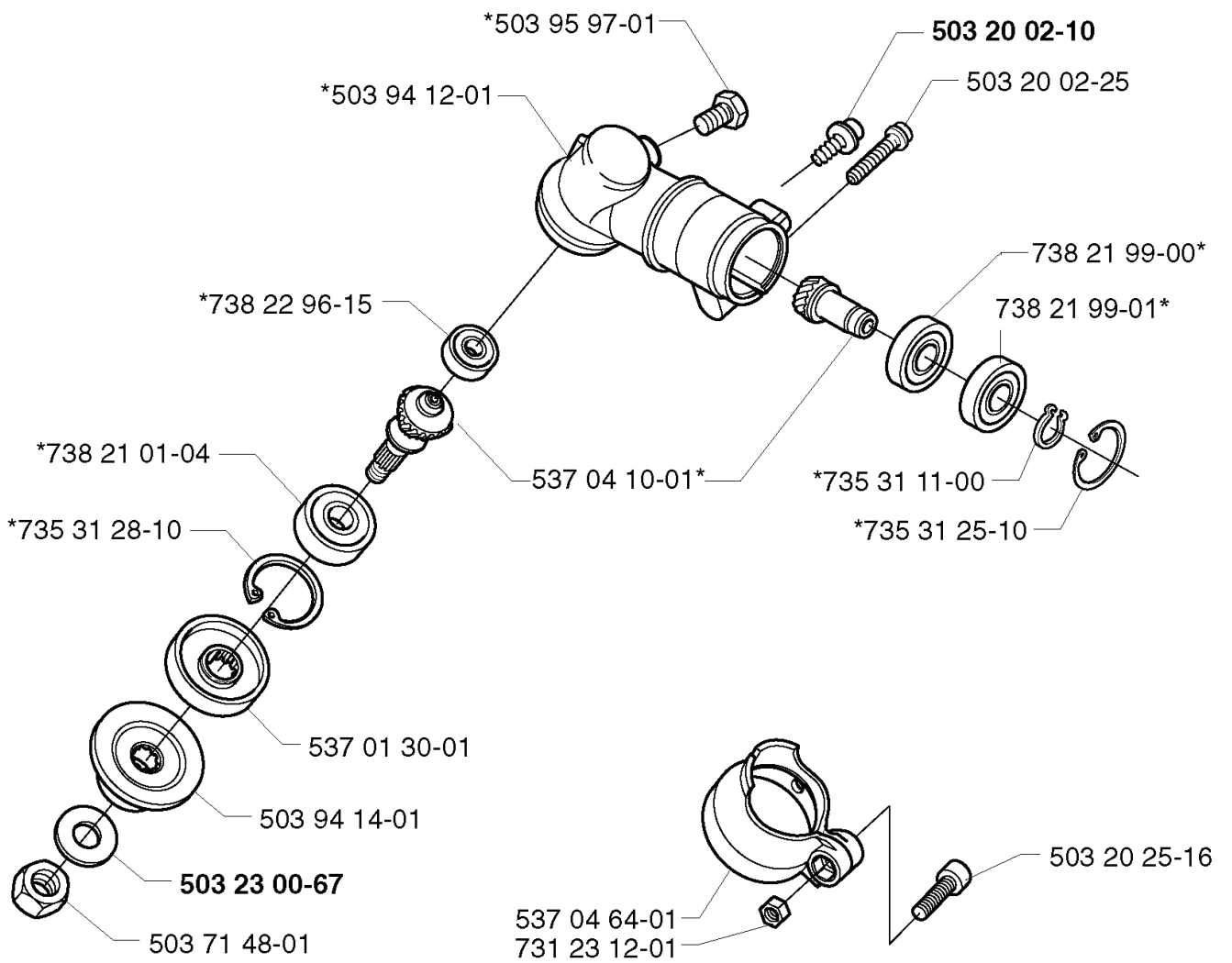
① 531 00 45-52  
ガスケットセット

② 531 00 45-53  
ガスケットセット

REF.	PART NO.	DESCRIPTION	REMARK	QTY.	KIT
503 28 31-10	503283110	CARBURETTOR		1	
503 48 05-01	503480501	SCREW		2	
503 97 43-01	503974301	COVER		1	
537 04 89-01	537048901	DIAPHRAGM	531 00 45-52 531 00 45-53	1	
537 02 09-01	537020901	SHAFT ASSY		1	
537 01 98-01	537019801	LEVER		1	
503 47 90-01	503479001	SCREW		1	
503 48 18-01	503481801	SCREW		1	
537 02 11-01	537021101	VALVE		1	
503 48 19-01	503481901	COLLAR		1	
537 04 90-01	537049001	LEVER		1	
537 02 10-01	537021001	SPRING		1	
503 47 97-01	503479701	VALVE	531 00 45-53	1	
503 48 00-01	503480001	PIN RETAINING SCREW	531 00 45-53	1	
503 53 57-01	503535701	STRAINER	531 00 45-53	1	
537 01 26-01	537012601	SPRING		1	
537 01 25-01	537012501	BALL		1	
503 75 53-01	503755301	SCREW		1	
537 02 00-01	537020001	DIAPHRAGM PUMP	531 00 45-52 531 00 45-53	1	
537 02 01-01	537020101	GASKET	531 00 45-52 531 00 45-53	1	
537 02 02-01	537020201	COVER		1	
503 47 96-01	503479601	SCREW		1	
537 02 07-01	537020701	SCREW		1	
503 48 11-01	503481101	PIECE		1	
537 01 96-01	537019601	SHAFT ASSY		1	
537 01 97-01	537019701	SPRING		1	
537 01 99-01	537019901	VALVE		1	
503 47 92-01	503479201	SCREW		1	
537 02 16-01	537021601	LIMITER CAP		1	
537 02 06-01	537020601	SCREW		1	
537 02 05-01	537020501	SCREW		1	
503 97 40-01	503974001	WASHER		1	
503 48 08-01	503480801	SPRING		1	
537 02 08-01	537020801	PLUG	531 00 45-53	1	
537 02 03-01	537020301	SPRING	531 00 45-53	1	
503 66 59-01	503665901	LEVER	531 00 45-53	1	
503 48 01-01	503480101	SCREW		1	
503 47 89-01	503478901	COLLAR		1	
537 02 04-01	537020401	GASKET	531 00 45-52 531 00 45-53	1	

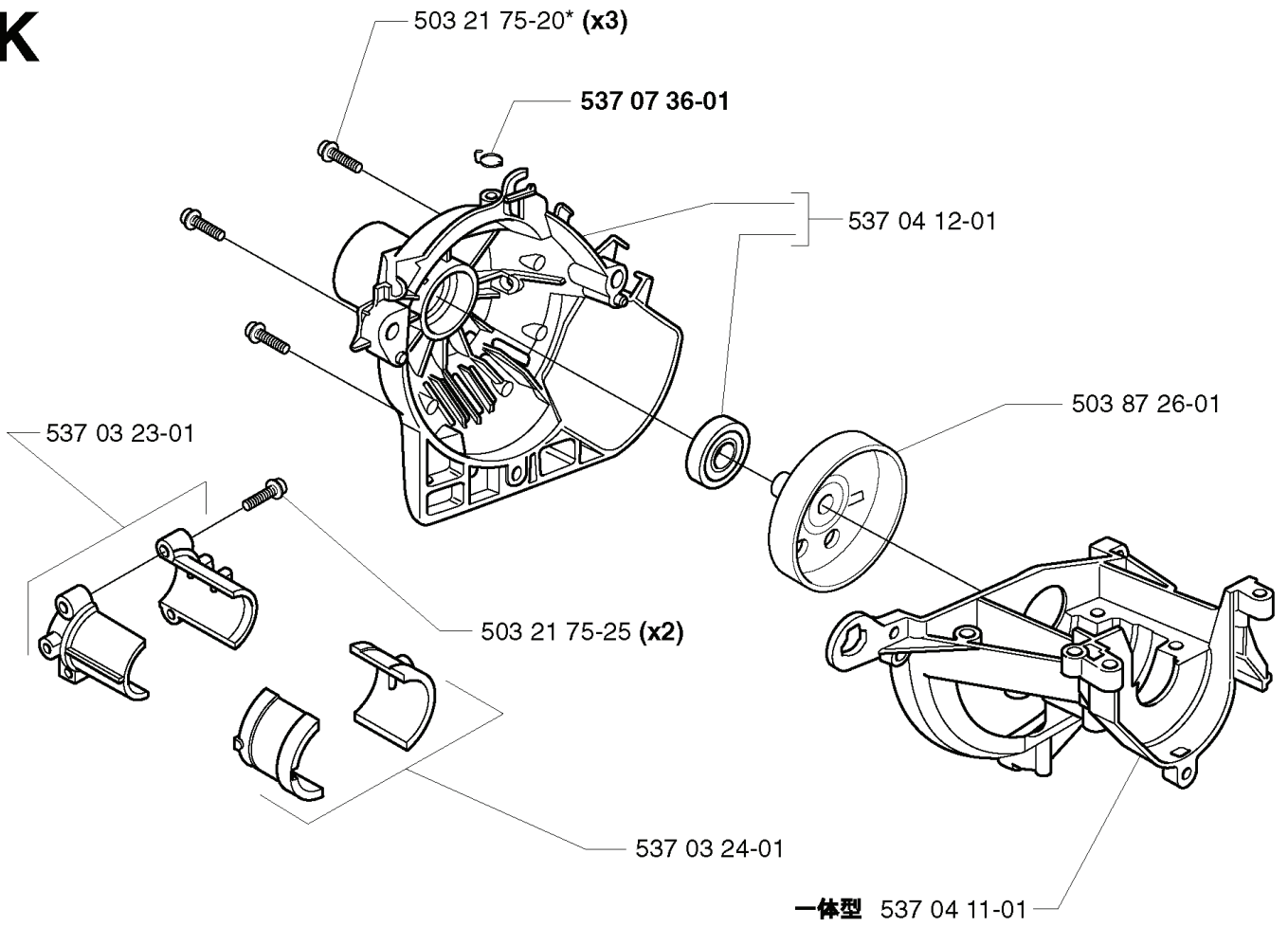
C

—\* 体型 503 94 11-01



REF.	PART NO.	DESCRIPTION	REMARK	QTY.	KIT
50394 11-01	503941101	GEAR ASSY		1	
50395 97-01	503959701	SCREW		1	
50394 12-01	503941201	GEAR HOUSING		1	
738 22 96-15	738229615	BALL BEARING		1	
738 21 01-04	738210104	BALL BEARING		1	
735 31 28-10	735312810	CIRCLIP		1	
537 01 30-01	537013001	DRIVER		1	
50394 14-01	503941401	SUPPORT FLANGE		1	
503 23 00-67	503230067	WASHER		1	
503 71 48-01	503714801	NUT BLADE		1	
731 23 12-01	731231201	HEXAGON NUT		1	
537 04 64-01	537046401	COVER		1	
503 20 25-16	503202516	SCREW IHSCM		1	
735 31 25-10	735312510	CIRCLIP		1	
735 31 11-00	735311100	CIRCLIP		1	
537 04 10-01	537041001	GEAR WHEEL KIT		1	
738 21 99-01	738219901	BALL BEARING		1	
738 21 99-00	738219900	BALL BEARING		1	
503 20 02-25	503200225	SCREW IHSCFM		1	
503 20 02-10	503200210	SCREW IHSCFM		1	

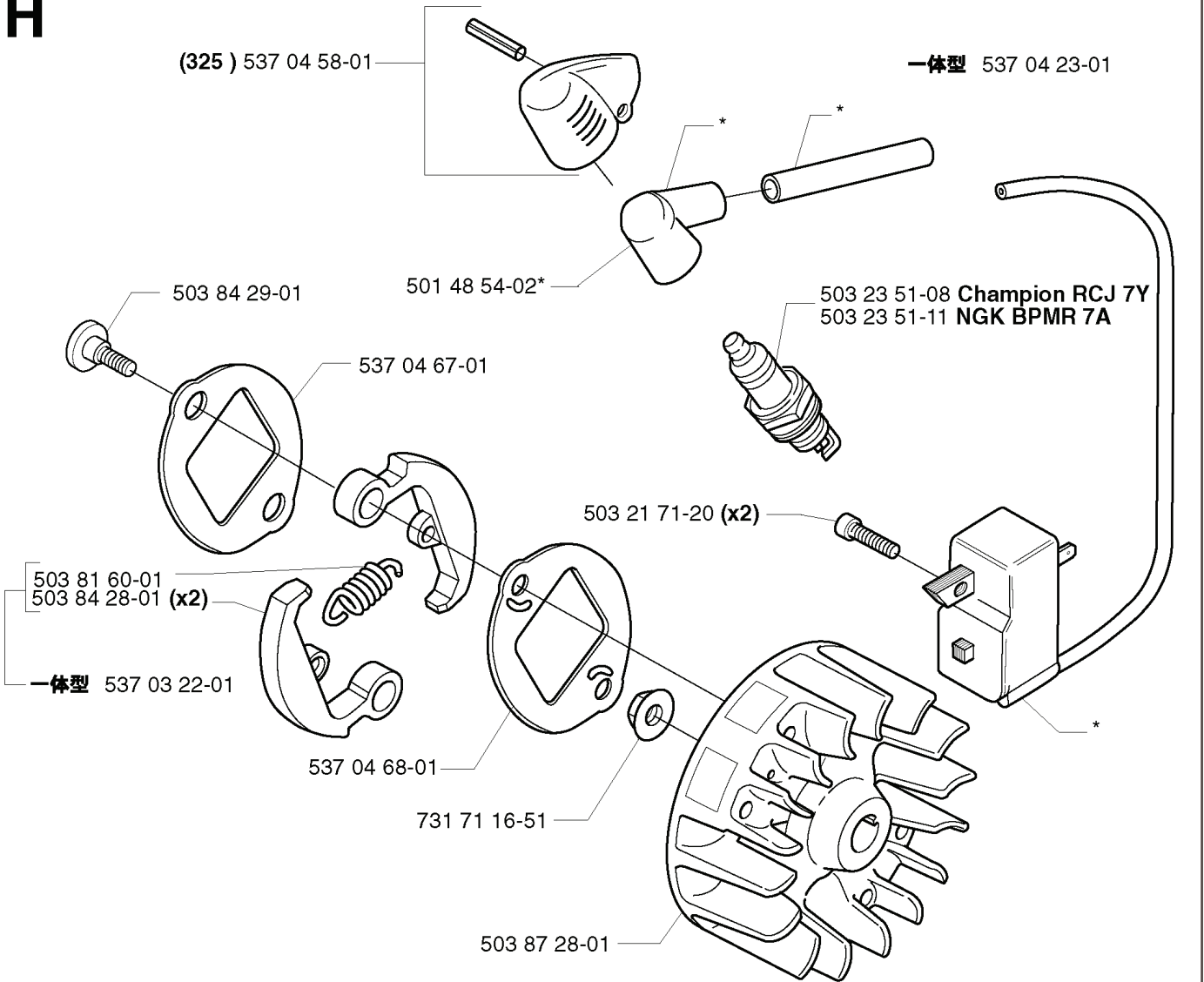
**K**



---

REF.	PART NO.	DESCRIPTION	REMARK	QTY.	KIT
503 21 75-20	503217520	SCREW IHSCFT		3	
537 03 23-01	537032301	CLAMPING SLEEVE ASSY		1	
503 21 75-25	503217525	SCREW IHSCFT		2	
537 03 24-01	537032401	INSULATOR		1	
537 04 11-01	537041101	CRANKCASE		1	
503 87 26-01	503872601	CLUTCH DRUM ASSY		1	
537 04 12-01	537041201	CLUTCH COVER		1	
537 07 36-01	537073601	SPRING		1	

**H**



REF.	PART NO.	DESCRIPTION	REMARK	QTY.	KIT
537 04 58-01	537045801	COVER	325	1	
503 84 29-01	503842901	SCREW		1	
503 81 60-01	503816001	CLUTCH SPRING		1	
503 84 28-01	503842801	CLUTCH SHOE		2	
537 03 22-01	537032201	CLUTCH ASSY		1	
537 04 68-01	537046801	WASHER		1	
731 71 16-51	731711651	HEXAGON NUT FLANGE		1	
503 87 28-01	503872801	FLYWHEEL		1	
503 21 71-20	503217120	SCREW IHSCT		2	
537 04 67-01	537046701	WASHER		1	
501 48 54-02	501485402	SPARK PLUG CAP		1	
503 23 51-11	503235111	SPARK PLUG	NGK BPMR 7A	1	
503 23 51-08	503235108	SPARK PLUG	CHAMPION RCJ 7Y	1	
537 04 23-01	537042301	IGNITION MODULE		1	

# D

503 98 12-03 322 R  
503 98 12-12 322 T  
503 98 12-16 325 R-X  
503 98 12-13 325 T-X

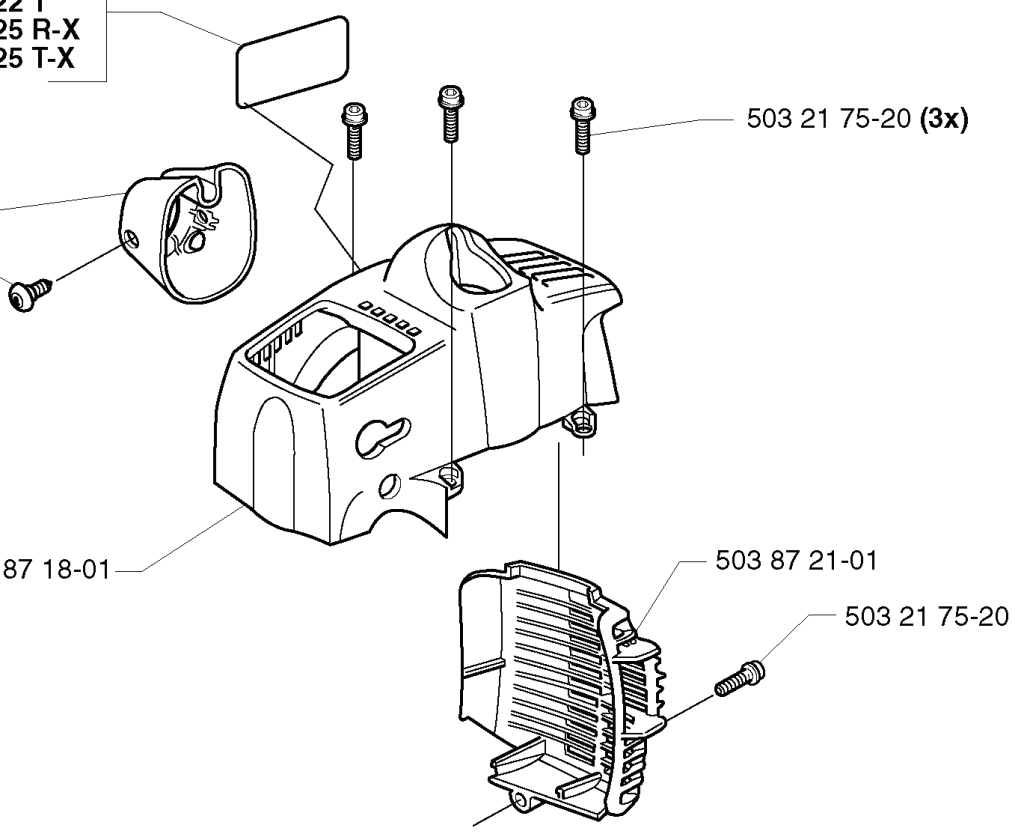
503 97 21-01  
503 96 13-01 (2x)

503 21 75-20 (3x)

503 87 18-01

503 87 21-01

503 21 75-20

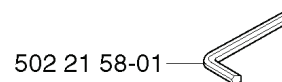
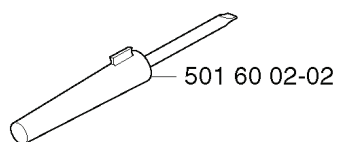
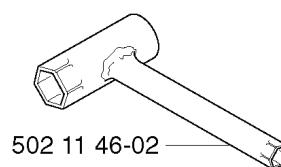
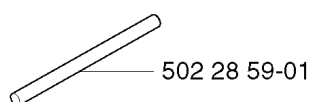
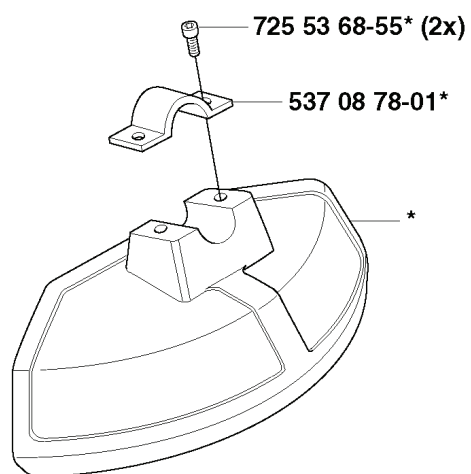
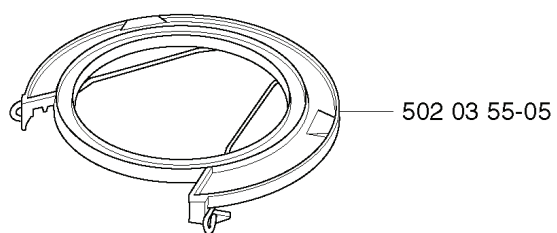


---

REF.	PART NO.	DESCRIPTION	REMARK	QTY.	KIT
50398 12-03	503981203	LABEL	322 R	1	
50398 12-12	503981212	LABEL	322 T	1	
50398 12-16	503981216	LABEL	325 R-X	1	
50398 12-13	503981213	LABEL	325 T-X	1	
50397 21-01	503972101	COVER		1	
50396 13-01	503961301	SCREW	2X	1	
50387 18-01	503871801	CYLINDER COVER		1	
50387 21-01	503872101	HEAT PROTECTOR		1	
50321 75-20	503217520	SCREW IHSCFT	3X	1	

**M** 付属品

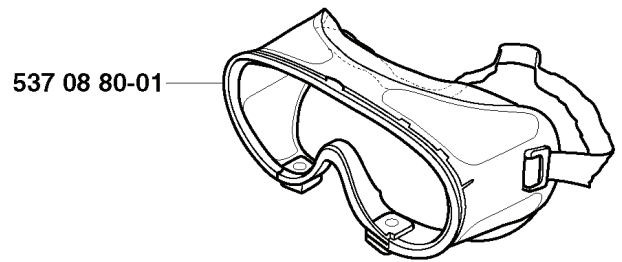
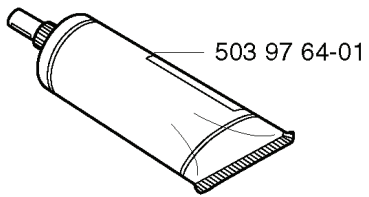
一体型 537 08 76-01



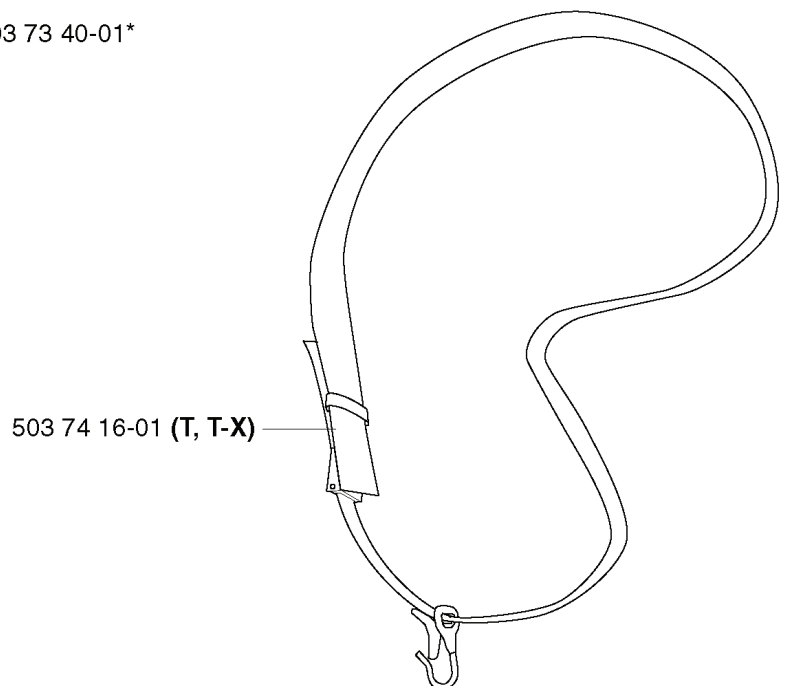
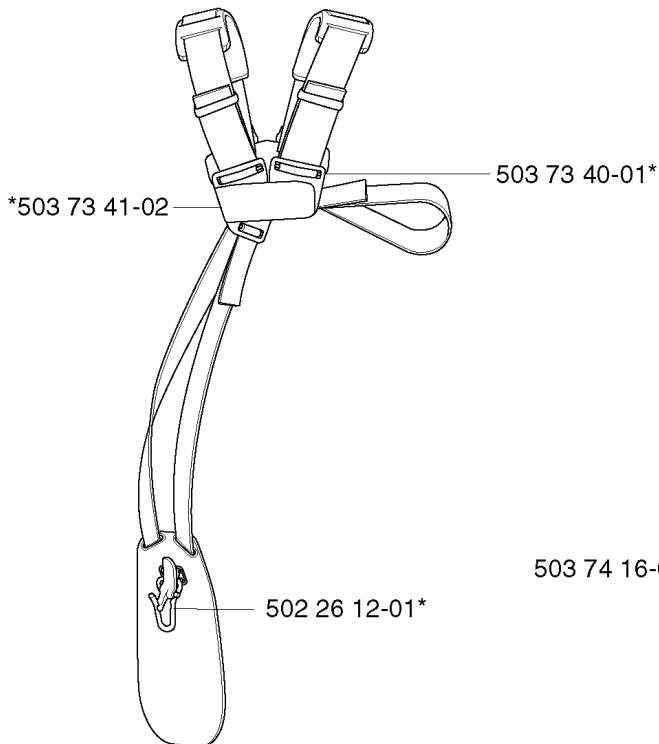
---

REF.	PART NO.	DESCRIPTION	REMARK	QTY.	KIT
502 03 55-05	502035505	TRANSPORT GUARD		1	
502 28 59-01	502285901	STOP		1	
501 60 02-02	501600202	SCREWDRIVER		1	
502 21 58-01	502215801	WRENCH		1	
502 11 46-02	502114602	SOCKET WRENCH		1	
537 08 78-01	537087801	ATTACHMENT PLATE		1	
725 53 68-55	725536855	SCREW IHSCM	2X	1	
537 08 76-01	537087601	TRIMMER GUARD		1	

# M 付属品



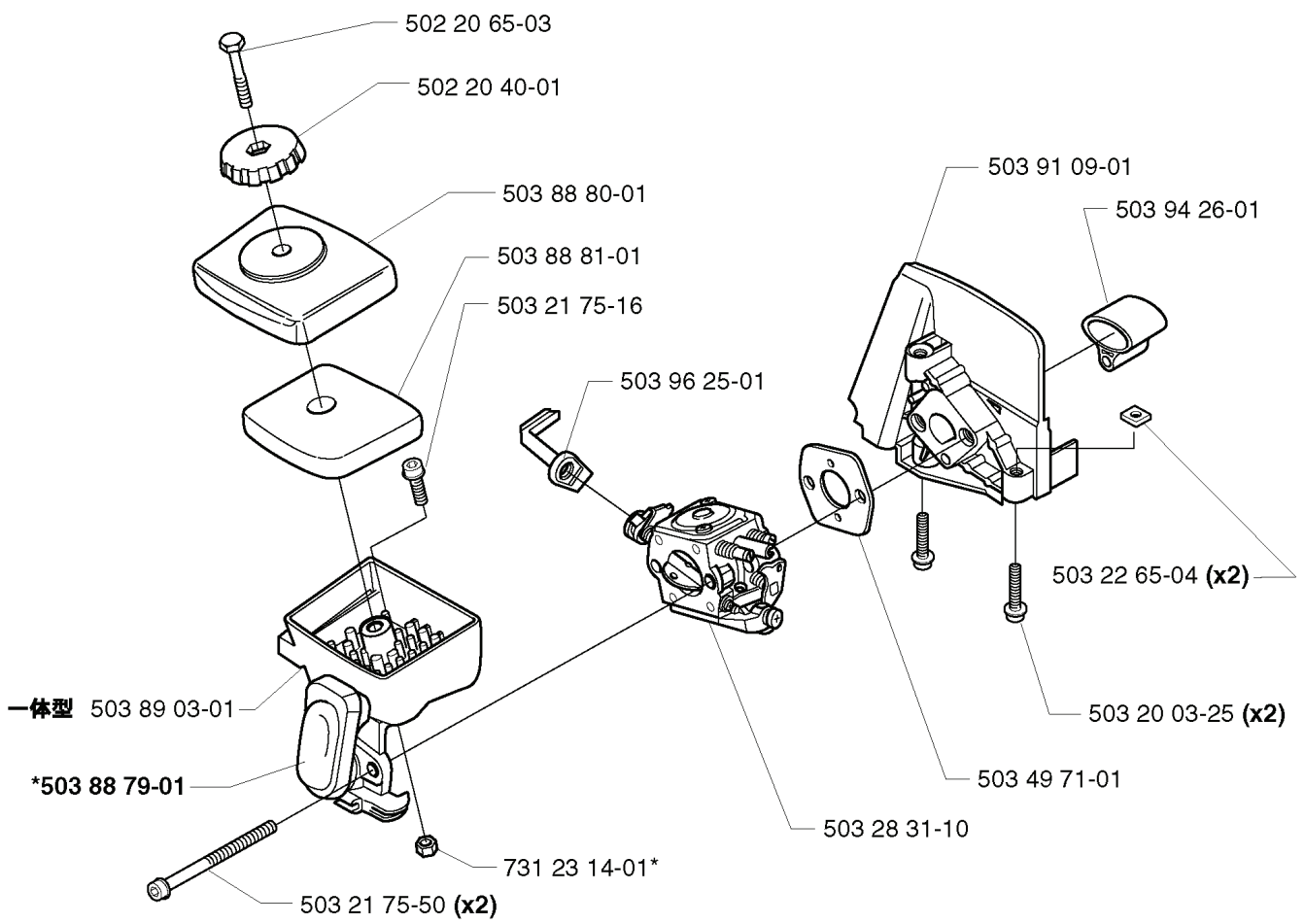
## 一体型 503 73 63-03 (R, R-X)



---

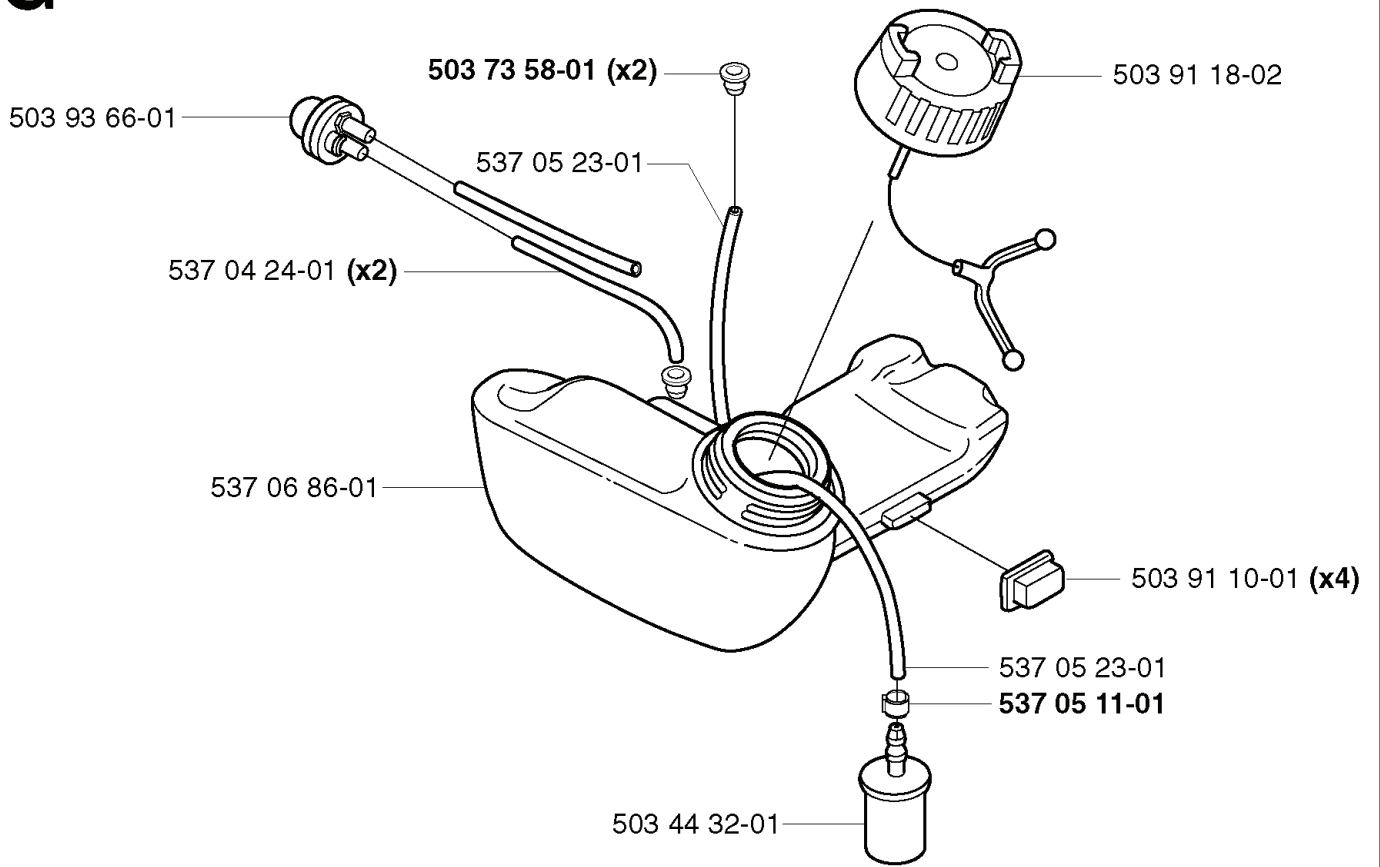
REF.	PART NO.	DESCRIPTION	REMARK	QTY.	KIT
5039764-01	503976401	GREASE		1	
5037363-03	503736303	HARNESS	R, R-X	1	
5037341-02	503734102	BUCKLE		1	
5022612-01	502261201	WELT HOOK		1	
5037416-01	503741601	HARNESS ASSY	T, T-X	1	
5037340-01	503734001	FRONT PIECE		1	
5370880-01	537088001	SAFETY GLASSES		1	

# E



REF.	PART NO.	DESCRIPTION	REMARK	QTY.	KIT
502 20 65-03	502206503	SCREW EHMM		1	
502 20 40-01	502204001	KNOB		1	
503 88 80-01	503888001	FILTER COVER		1	
503 88 81-01	503888101	AIR FILTER		1	
503 21 75-16	503217516	SCREW IHSCFT		1	
503 96 25-01	503962501	CHOKE CONTROL		1	
503 89 03-01	503890301	FILTER HOLDER		1	
503 88 79-01	503887901	HUB CAP		1	
503 21 75-50	503217550	SCREW IHSCFT		2	
731 23 14-01	731231401	HEXAGON NUT		1	
503 28 31-10	503283110	CARBURETTOR		1	
503 49 71-01	503497101	GASKET		1	
503 20 03-25	503200325	SCREW IHSCFM		2	
503 22 65-04	503226504	SQUARE NUT		2	
503 94 26-01	503942601	INLET PIPE		1	
503 91 09-01	503910901	INSULATION WALL		1	

**G**



---

REF.	PART NO.	DESCRIPTION	REMARK	QTY.	KIT
503 73 58-01	503735801	BUSHING		2	
503 93 66-01	503936601	PURGE		1	
537 05 23-01	537052301	FUEL HOSE		1	
537 04 24-01	537042401	FUEL HOSE		2	
537 06 86-01	537068601	FUEL TANK		1	
503 44 32-01	503443201	FUEL FILTER		1	
537 05 11-01	537051101	HOSE CLAMP		1	
503 91 10-01	503911001	SUSPENSION		4	
503 91 18-02	503911802	TANK CAP		1	

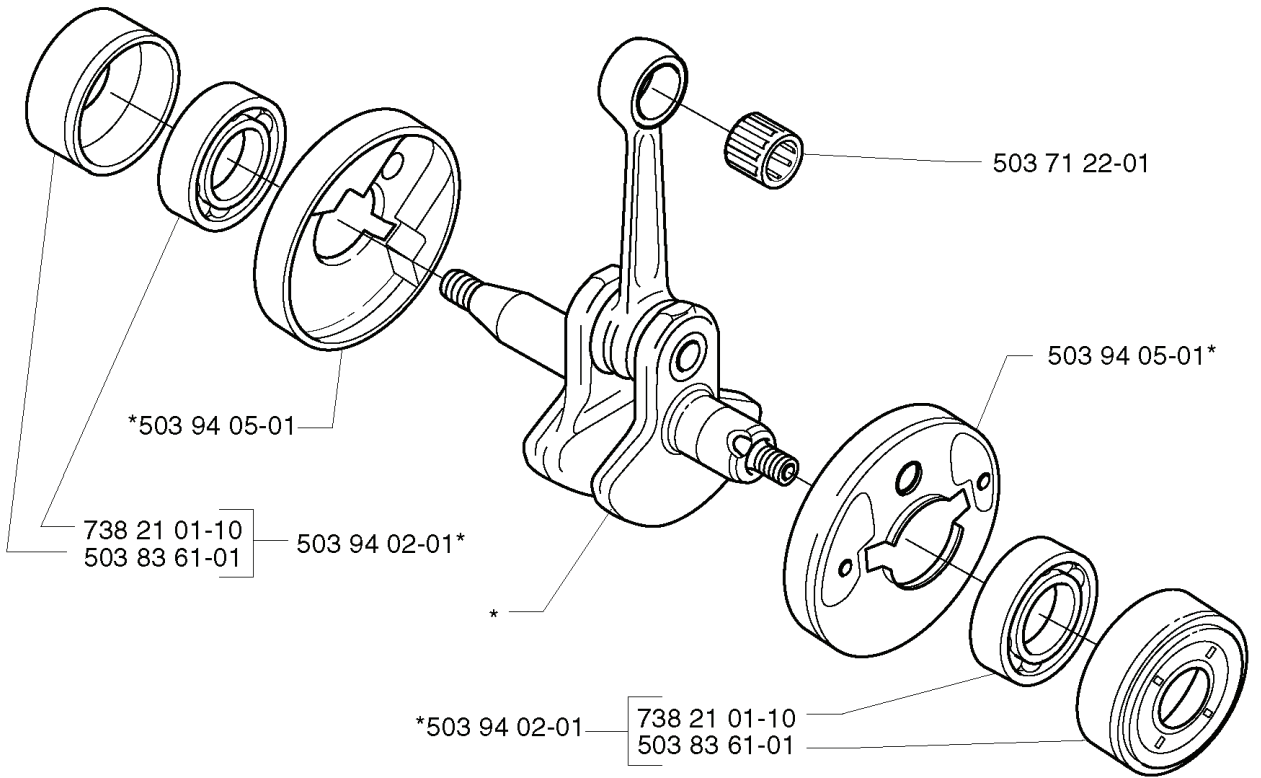


---

REF.	PART NO.	DESCRIPTION	REMARK	QTY.	KIT
503 88 88-01	503888801	TUBE		1	
503 86 45-01	503864501	DRIVE SHAFT		1	
537 02 76-01	537027601	LABEL		1	
503 87 26-01	503872601	CLUTCH DRUM ASSY		1	
537 13 11-01	537131101	HOOK		1	
537 13 10-01	537131001	HANDLE		1	
537 08 81-01	537088101	HANDLE		1	
537 08 82-01	537088201	SPRING		4	
502 21 12-01	502211201	STAPLE		1	



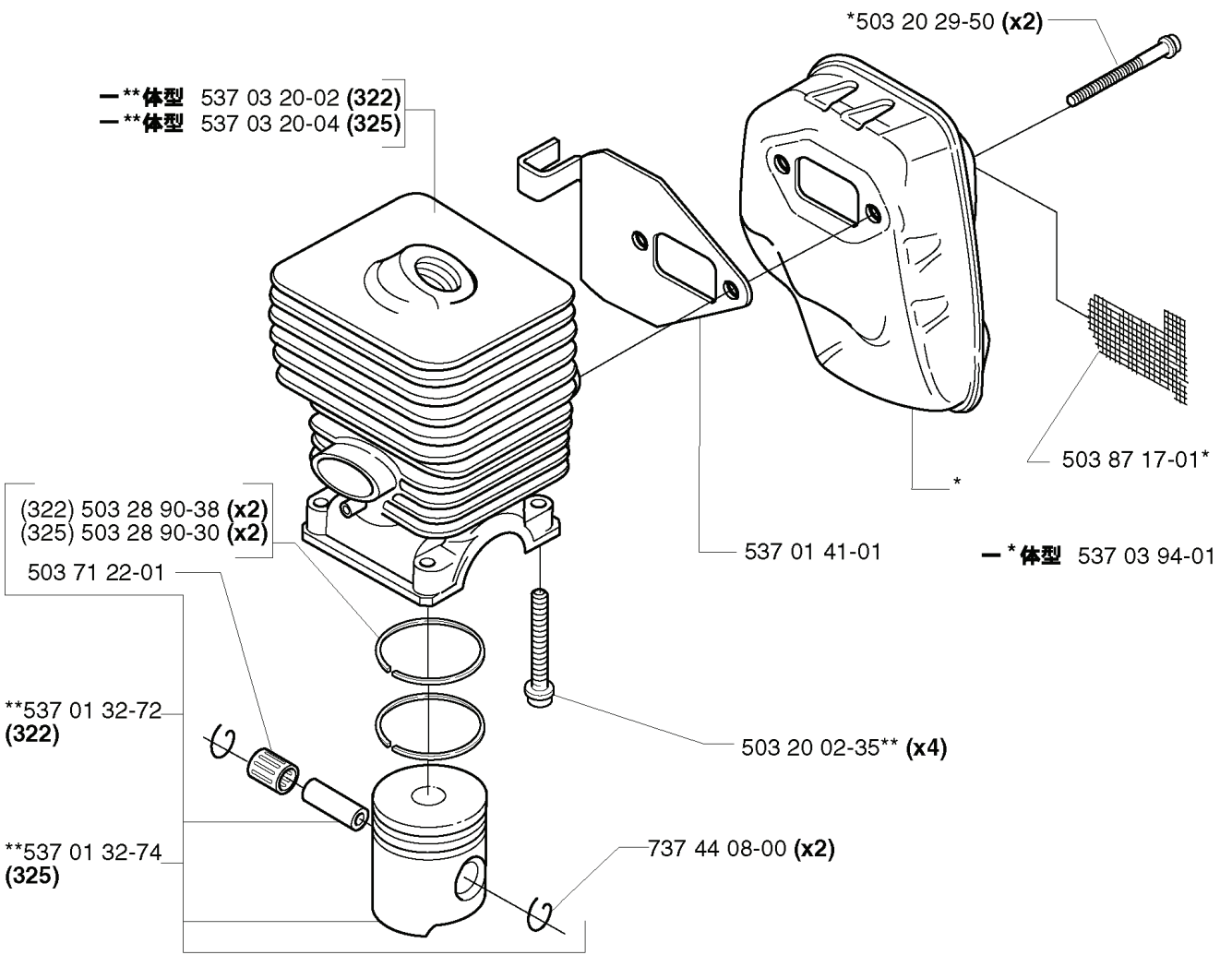
一体型 503 85 24-73



---

REF.	PART NO.	DESCRIPTION	REMARK	QTY.	KIT
503 85 24-73	503852473	CRANKSHAFT ASSY		1	
503 94 05-01	503940501	CUP		1	
503 83 61-01	503836101	BEARING CAGE		1	
503 94 02-01	503940201	BEARING CAGE		1	
738 21 01-10	738210110	BALL BEARING		1	
503 71 22-01	503712201	BEARING		1	

# J

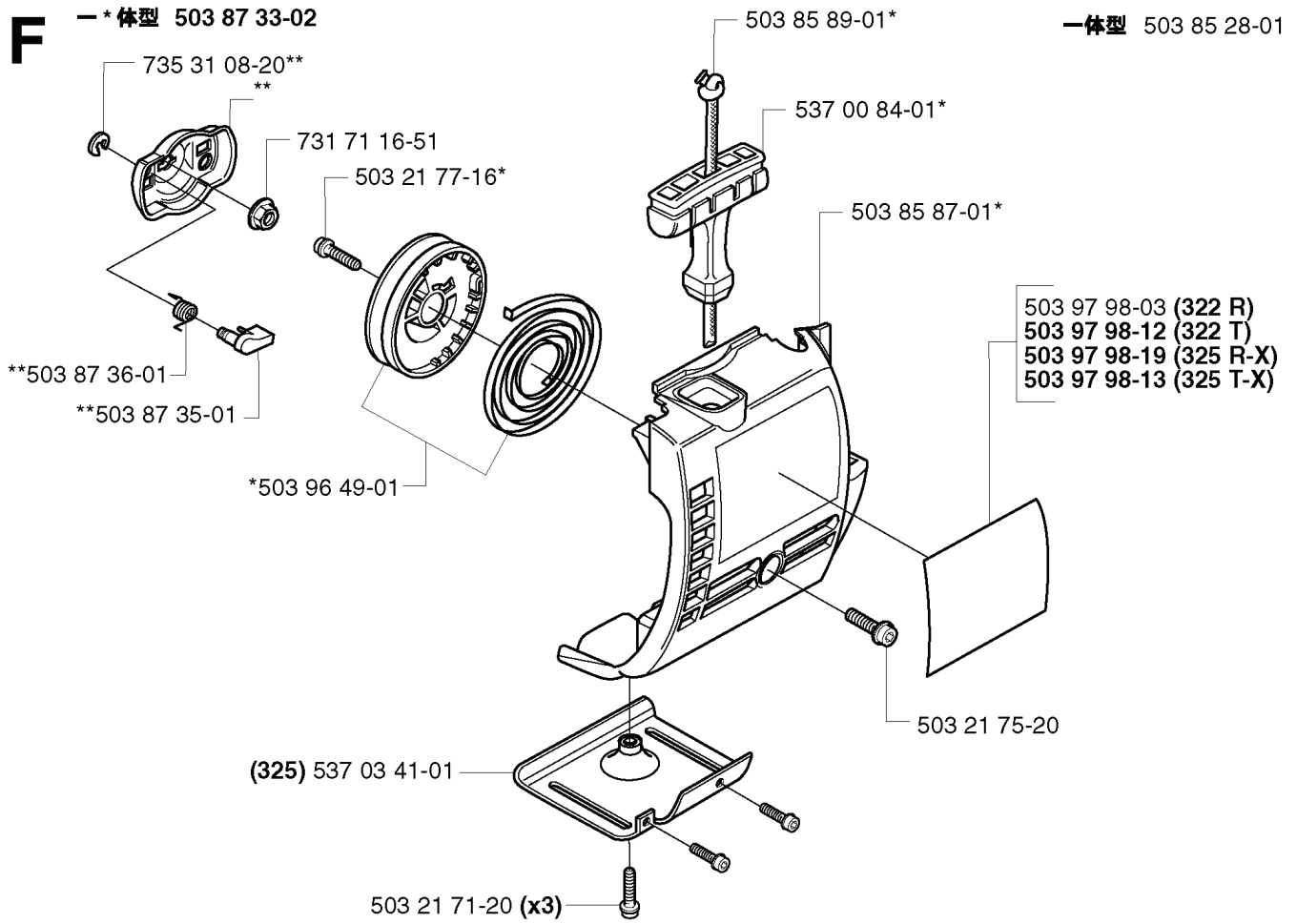


REF.	PART NO.	DESCRIPTION	REMARK	QTY.	KIT
537 03 20-02	537032002	PISTON	322	1	
537 03 20-04	537032004	PISTON	325	1	
503 28 90-38	503289038	PISTON RING	322	2	
503 28 90-30	503289030	PISTON RING	325	2	
503 71 22-01	503712201	BEARING		1	
537 01 32-72	537013272	PISTON	322	1	
537 01 32-74	537013274	PISTON	325	1	
737 44 08-00	737440800	CIRCLIP		2	
503 20 02-35	503200235	SCREW IHSCFM		4	
537 01 41-01	537014101	GASKET		1	
537 03 94-01	537039401	MUFFLER ASSY		1	
503 87 17-01	503871701	SPARK ARRESTER SCREEN		1	
503 20 29-50	503202950	SCREW IHSCFM		2	

**F**

—\* 体型 503 87 33-02

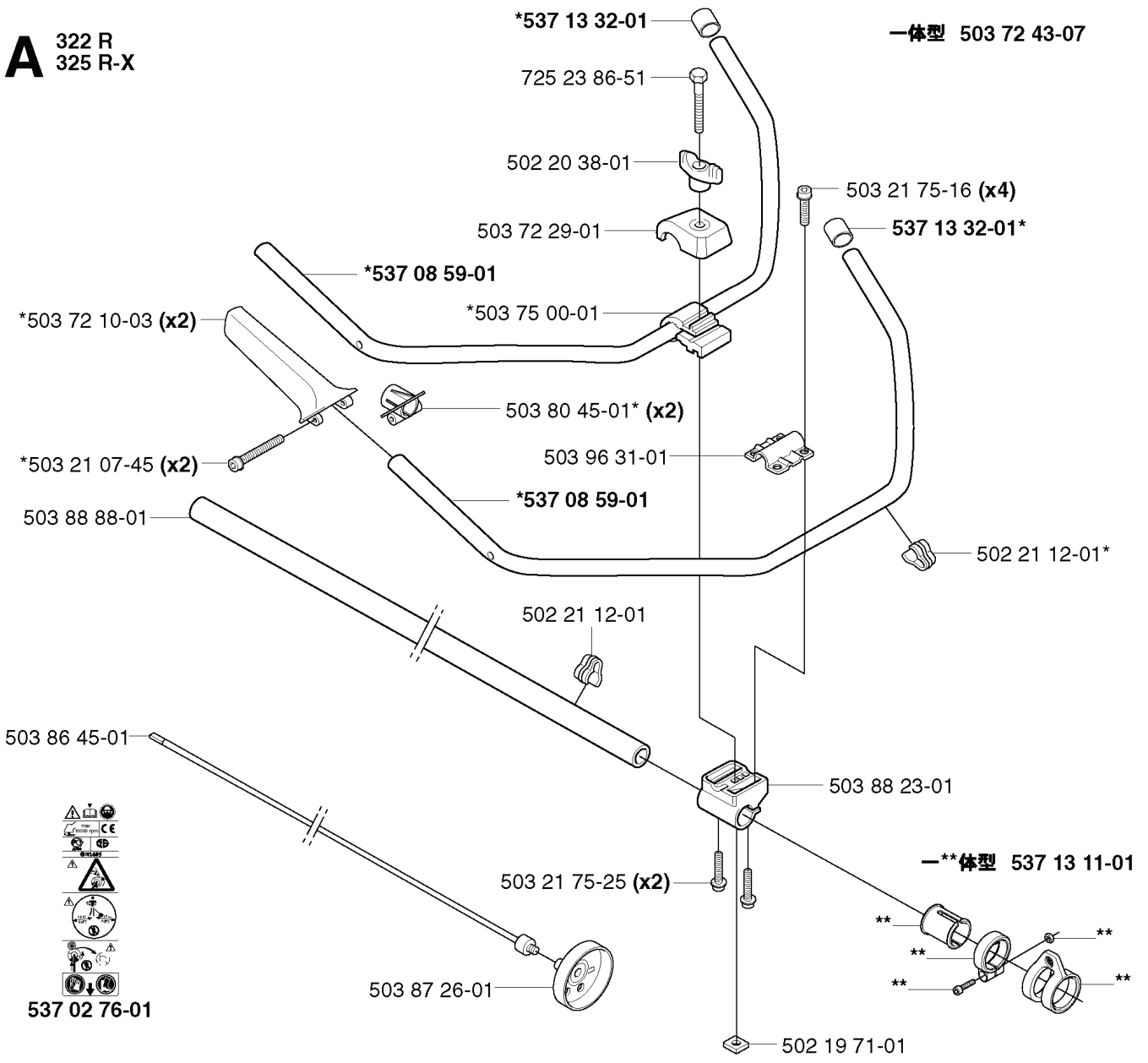
—体型 503 85 28-01



REF.	PART NO.	DESCRIPTION	REMARK	QTY.	KIT
503 87 33-02	503873302	BRIDGE		1	
735 31 08-20	735310820	E-CLIP		1	
731 71 16-51	731711651	HEXAGON NUT FLANGE		1	
503 21 77-16	503217716	SCREW IH SCT		1	
503 87 36-01	503873601	SPRING		1	
503 87 35-01	503873501	STARTER PAWL		1	
503 96 49-01	503964901	STARTER PULLEY		1	
537 03 41-01	537034101	PROTECTIVE PLATE	325	1	
503 21 71-20	503217120	SCREW IH SCT		3	
503 21 75-20	503217520	SCREW IH SCFT		1	
503 97 98-13	503979813	DECAL	325 T-X	1	
503 97 98-19	503979819	DECAL	325 R-X	1	
503 97 98-12	503979812	DECAL	322 T	1	
503 97 98-03	503979803	DECAL	322 R	1	
503 85 87-01	503858701	STARTER HOUSING		1	
537 00 84-01	537008401	STARTER HANDLE		1	
503 85 89-01	503858901	STARTER ROPE		1	
503 85 28-01	503852801	STARTER ASSY		1	

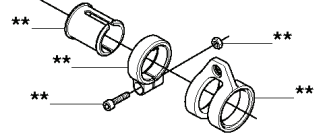
**A** 322 R  
325 R-X

一体型 503 72 43-07



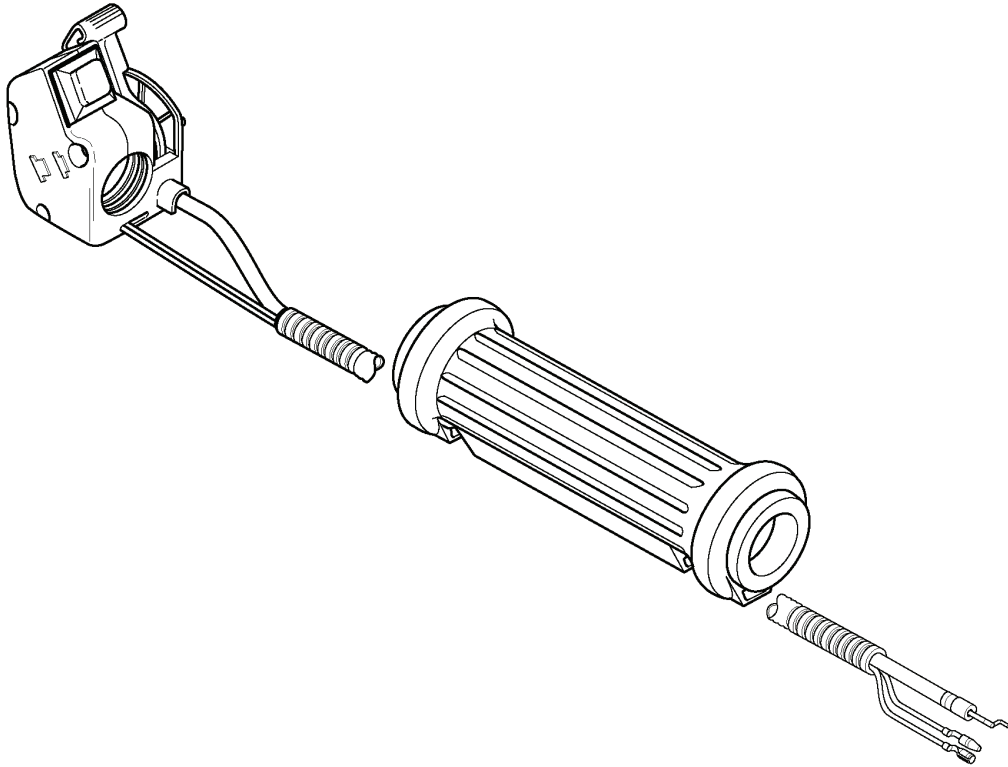
537 02 76-01

一\*\*体型 537 13 11-01



REF.	PART NO.	DESCRIPTION	REMARK	QTY.	KIT
503 72 10-03	503721003	HANDLE		2	
503 21 07-45	503210745	SCREW IHSCST		2	
503 88 88-01	503888801	TUBE		1	
503 86 45-01	503864501	DRIVE SHAFT		1	
537 02 76-01	537027601	LABEL		1	
503 87 26-01	503872601	CLUTCH DRUM ASSY		1	
502 19 71-01	502197101	SQUARE NUT		1	
503 21 75-25	503217525	SCREW IHSCFT		2	
537 13 11-01	537131101	HOOK		1	
503 88 23-01	503882301	BRACKET		1	
502 21 12-01	502211201	STAPLE		1	
537 08 59-01	537085901	HANDLEBAR		1	
503 96 31-01	503963101	BRACKET		1	
503 80 45-01	503804501	BRACKET		2	
503 75 00-01	503750001	HANDLEBAR BRACKET		1	
503 72 29-01	503722901	COVER		1	
502 20 38-01	502203801	KNOB		1	
725 23 86-51	725238651	SCREW EHHM		1	
537 13 32-01	537133201	RUBBER BUSHING		1	
503 21 75-16	503217516	SCREW IHSCFT		4	
503 72 43-07	503724307	HANDLEBAR		1	

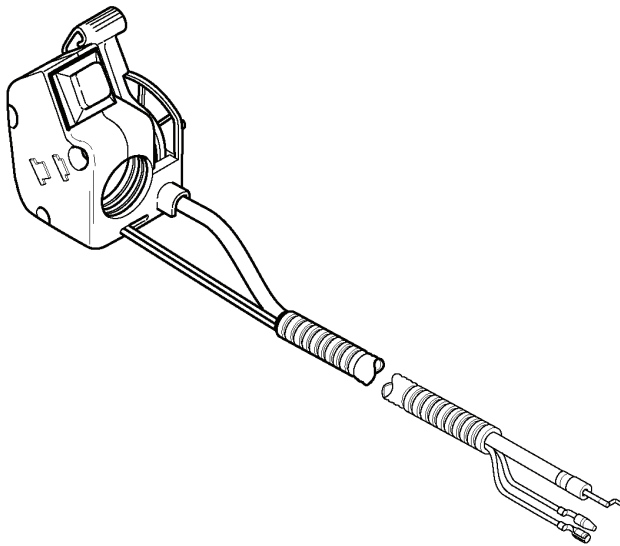
**B** — \* 体型 537 13 58-01 (T, T-X)



537 13 57-01\* (T, T-X)

---

— \* 体型 537 13 09-01 (R, R-X)



537 13 38-01\* (R, R-X)

---

REF.	PART NO.	DESCRIPTION	REMARK	QTY.	KIT
537 1309-01	537130901	WIRING	R, R-X	1	
537 1357-01	537135701	THROTTLE CABLE		1	
537 1338-01	537133801	THROTTLE CABLE	R, R-X	1	
537 1358-01	537135801	WIRING		1	